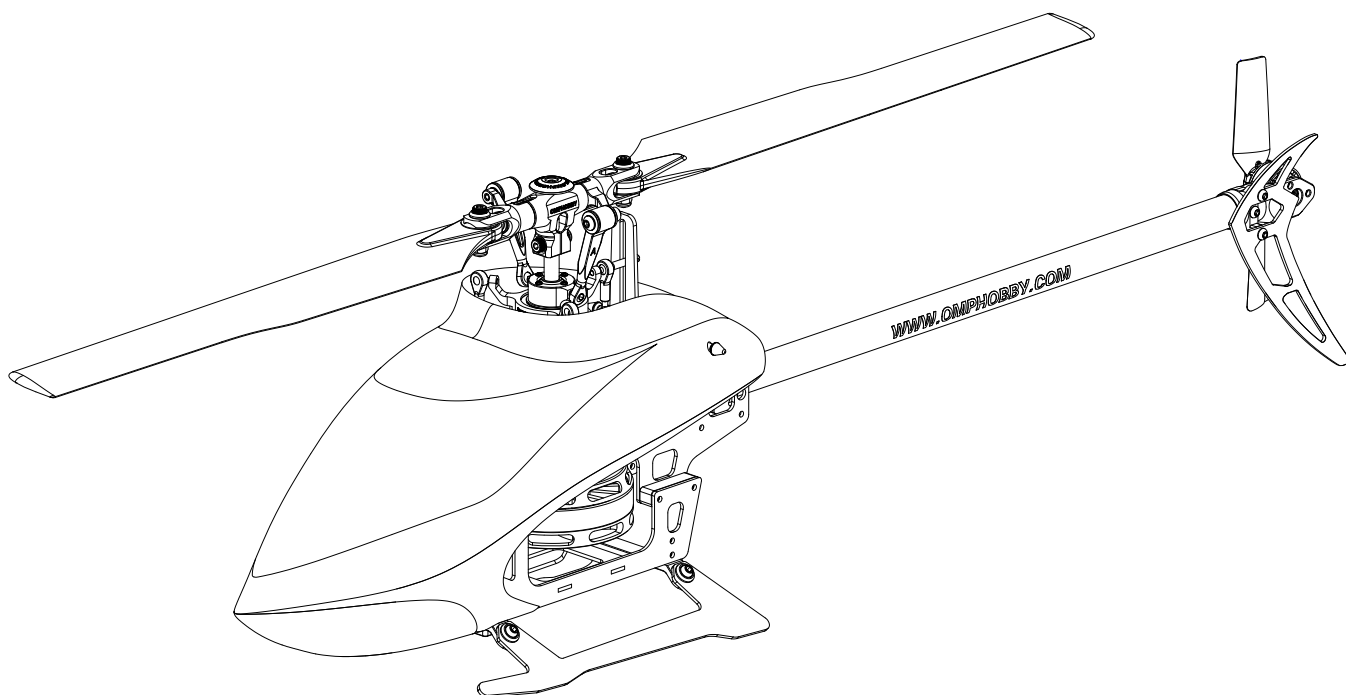


M2

INSTRUCTION MANUAL

使用说明书



OMPHOBBY
#1 BY DESIGN

Thank you for buying **OMP HOBBY** products. The **M2** is the latest technology in Rotary RC models. Please read this manual carefully before assembling and flying the New **M2** helicopter. We recommend that you keep this manual for future reference regarding and maintenance

感谢您选用边锋智驱系列产品。

进入遥控世界前必须告诉您许多相关的知识与注意事项，以确保您能够在学习的过程中较得心应手。在开始操作之前，请务必详细阅读本说明书，相信一定能够给您带来相当大的帮助，也请您妥善保管这本说明书，以作为日后参考。

Thank you for buying OMPHOBBY Products. The M2 Helicopter is designed as an easy to use,full featured Helicopter R/C model capable of all forms of rotary flight. Please read the manual carefully before assembling the model, and follow all precautions and recommendations located within the manual. Be sure to retain the manual for future reference, routine maintenance, and tuning.

The M2 is a new product developed by OMPHOBBY. It features the best design available on the Micro-Heli market to date, providing flying stability for beginners,full aerobatic capability for advanced fliers, and unsurpassed reliability for customer support.

感谢您选购边锋智驱公司产品, 为了你容易方便使用M2直升机, 请您详细的阅读完这本说明书之后再行组装以及操作这台直升机, 同时请您妥善保存这本说明书, 作为日后进行调整以及维修的参考。

M2是由边锋智驱有限公司自行研发的新产品, 不论您是需求飞行稳定的初学者还是追求性能卓越的飞行爱好者。M2将是您最佳的选择。

WARNING LABEL LEGEND 标志代表含义

<p>WARNING 警告</p>	<p>Mishandling due to failure to follow these instructions may result in damage or injury. 因为疏忽这些操作说明, 而使用错误可能造成财产损失或严重伤害。</p>
<p>CAUTION 注意</p>	<p>Mishandling due to failure to follow these instructions may result in danger. 因为疏忽这些操作说明, 而使用错误可能造成危险。</p>
<p>FORBIDDEN 禁止</p>	<p>Do not attempt under any circumstances 在任何禁止的环境下, 请勿尝试操作。</p>

IMPORTANT NOTES 重要声明

R/C helicopters, including The M2 are not toys.R/C helicopter utilize various high-tech products and technologies to provide superior performance.Improper use of this product can result in serious injury or even death. Please read this manual carefully before using and make sure to be conscious of your own personal safety and the safety of others and your environment when operating allOMPHOBBY products.

Manufacturer and seller assume no liability for the operation or the use of this product . Intended for use only by adults with experience flying remote control helicopters at a legal flying field. After the sale of this product we cannot maintain any control over its operation or usage.

M2遥控直升机并非玩具, 它是结合了许多高科技产品所设计出来的休闲用品, 所以商品的使用不当或者不熟悉都可能会造成严重伤害甚至死亡, 使用之前请务必仔细阅读本说明书, 勿轻忽并注意自身安全。

注意! 任何遥控直升机的使用, 制造商和经销商是无法对使用者于零件使用的损耗异常或组装不当所发生之意外负责任何责任, 本产品是提供给有操作过模型直升机经验的成人或者有相当技术的人员在旁指导于当地合法遥控飞行场飞行, 以确保安全无误下操作使用, 产品售出后该公司将不负任何责任操作和使用控制上的任何性能与安全责任。

We recommend that you obtain the assistance of an experienced pilot before attempting to fly our products for the first time, A lcoal expert is the best way to properly assmble , setup, and fly your mldel for the first time .M2 Helicopter requires a certain degree of skill to operate, and is a consumer item. Any damage or dissatisfaction as a result or accidents or modifications are not covered by any warrantee and cannot be returned for repair or replacement. Please contact our distributors for free technical consultation and parts at discounted rates when you experience problems during operation or maintenance.

模型商品属于需高操作技术且为消耗性之商品, 如经拆装使用后, 会造成不等情况零件损耗, 任何使用情况所造成的商品不良或不满意, 将无发于保固条件内更换新品或者退货, 如遇有使用操作维修问题, 本公司全球分公司或者代理商将提供技术指导, 特价零件供应服务。

SAFETY NOTES 安全注意事项



Fly only in safe areas,away from other people. Do not operate R/C aircraft within the vicinity of homes or crowds of people .R/C aircraft are prone to accidents,failures,and crashes due to a variety of reasons including,lack of maintenance,pilot error, and radio interference. Pilots are responsible for their actions and damage or injury occurring during the poeration or as of a result of R/C aircraft models.

遥控模型飞机、直升机属于高危险性商品, 飞行时务必远离人群, 人为组装不当或机件损坏, 电子控制设备不良, 以及操控上的不熟悉、都有可能导致飞行失控损伤等不可预期的意外, 请飞行者务必注意飞行安全, 并需了解自负疏忽所造成的任何意外之责任。



LOCATE AN APPROPRIATE LOCATION 远离障碍物及人群

R/C helicopters fly at high speed ,thus posing a certain degree of potential danger .Choose a legal flying field consisting of flat,smooth ground without obstacles.

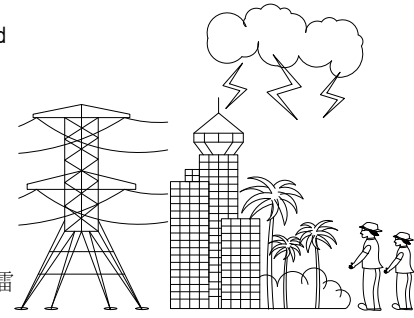
Do not fly near buildings,high voltage cables ,or trees to ensure the safety of yourself,others and your model.

For the first practice,please choose a legal flying field and can use a training skid to fly for reducing the damage .Do not fly your model in inclement weather,such as rain,wind snow or darkness.

直升机飞行时具有一定的速度,相对的也潜在着危险性,场地的选择也相对的重要,请遵守当地的法律法规到合法的遥控飞行场地去飞行。

必须注意周边有没有人、高楼、建筑物、高压电线、树木等等、避免操控的不当造成自己或他人的财产损失。

初次练习时,务必选择在空旷合法专属飞行场地并适当搭配练习架飞行,这对于飞行失误所造成的损伤将会大幅的降低。请勿在下雨天、打雷等恶劣天气下操作,以确保本身及机体的安全。

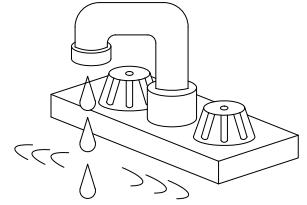


PREVENT MOISTURE 远离潮湿环境

R/C models are composed of many precision electrical components.

It is critical to keep the model and associated equipment away from moisture and other contaminants.The introduction or exposure to water or moisture in any form can cause the model to malfunction resulting in loss of use,or a crash .Do not operate or expose to rain or moisture

直升机内部也是由精密的电子零件组成,所以必须绝对的防止潮湿或水气,避免在浴室或雨天时使用,防止水气进入机身内部而导致机件及电子零件故障而引发不可预期的意外!



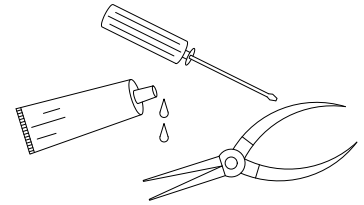
PREVENT OPETATION 勿不当使用本产品

Please use the replacement of parts on the manual to ensure the safety of instructors.

This product is for R/C model,so do not use for other purpose.

请勿自行改造加工,任何的升级改装或维修,请使用三源电子科技有限公司目录中的零件,以确保结构的安全。

请确认于产品界限内操作,请勿过载使用,并勿用于安全、法令外其他非法用途。



OBTAIN THE ASSISTANCE OF AN EXPERIENCED PILOT 避免独自操控

Before turning on your model and transmitter,check to make sure no one else is operating on the same frequency.Frequency interference can cause your model,or other models to crash.

The guidance provided by an experienced pilot will be invaluable for the assembly,tuning,trimming,and actual first flight. (Recommend you to practice with computer-based flight simulator.)

至飞行场地前,需确认是否有相同频率的同好正在飞行,因为开启相同的频率的发射机将导致自己与他人立即干扰等意外危险。

遥控飞机操控技巧在学习初期有着一定的难度,要尽量避免独自操作飞行,需有经验的人士在旁指导,才可以操控飞行。(勤练电脑模拟器及老手指导是入门必要的选择)



SAFE OPERATION 安全操作

Operate this unit within your ability.Do not fly under tired condition and improper operation may cause in danger

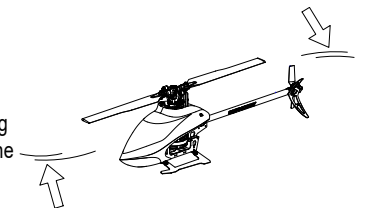
请于自己能力内及需要一定技术范围内操作这台直升机,过于疲劳,精神不佳或不当操作,意外发生风险将可能会提高。



ALWAYS BE AWARE OF THE ROTATING BLADES 远离运转中的零件

During the operation of the helicopter,the main rotor and tail rotor will be spinning at a high rate of speed .The blades are capable of inflicting serious bodily injury and damage to the environment.Be conscious of your actions,and careful to keep your face,eyes,hands,and loose clothing away from the blades.Always fly the model a safe distance from yourself and others,as well as surrounding objects.Never take your eyes off the model or leave it unattended while it is turned on.Immediately turn off the model and transmitter when you have landed model.

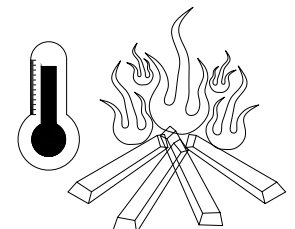
当直升机主旋翼与尾旋翼运转时,切勿触摸并远离任何物件,以避免造成危险及损坏。

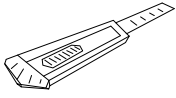
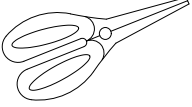
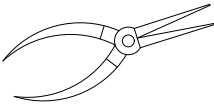
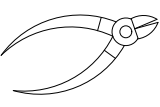
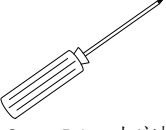
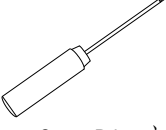
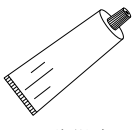




KEEP AWAY FROM HEAT 远离热源

R/C models are made of various forms of plastic.Plastic is very susceptible to damage or deformation due to extreme heat and clod climate .Make sure not to store the model near any source of heat such as an oven,or heater.It is best to store the model indoors ,in a climate-controlled,room temperature environment.

遥控飞机多半是以PA纤维或聚乙烯、电子商品为主要材质,因此要尽量远离热源、日照、以避免因高温而变形甚至熔毁损坏的可能。



 <p>Cutter Knife 刀子</p>	 <p>Scissors 剪刀</p>	 <p>Needle Nose Pliers 尖嘴钳</p>	 <p>Diagonal Cutting Pliers 斜口钳</p>	
 <p>Philips Screw Drive 十字螺丝起子</p>	 <p>Hexagon Screw Driver 六角螺丝起子</p>	 <p>Oil 润滑油</p>	 <p>CA 瞬间胶</p>	 <p>AB Glue AB胶</p>

胶水使用方法

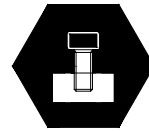
When you see the marks as below, please use glue or grease to ensure flying safety.
 标有以下符号之组装步骤, 请配合上胶或上油, 以确保使用之可靠度。



Apply BLUE Threadlock
使用螺丝胶



Apply Petroleum-Based,
Light Viscosity Lube
添加润滑油



Loosely Tighten
普通拧紧



Apply NO Threadlock
无需使用螺丝胶



Apply Synthetic
Grease
添加润滑油脂



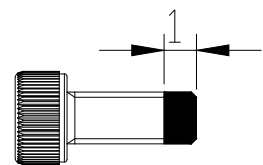
Fully Tighten
完全拧紧



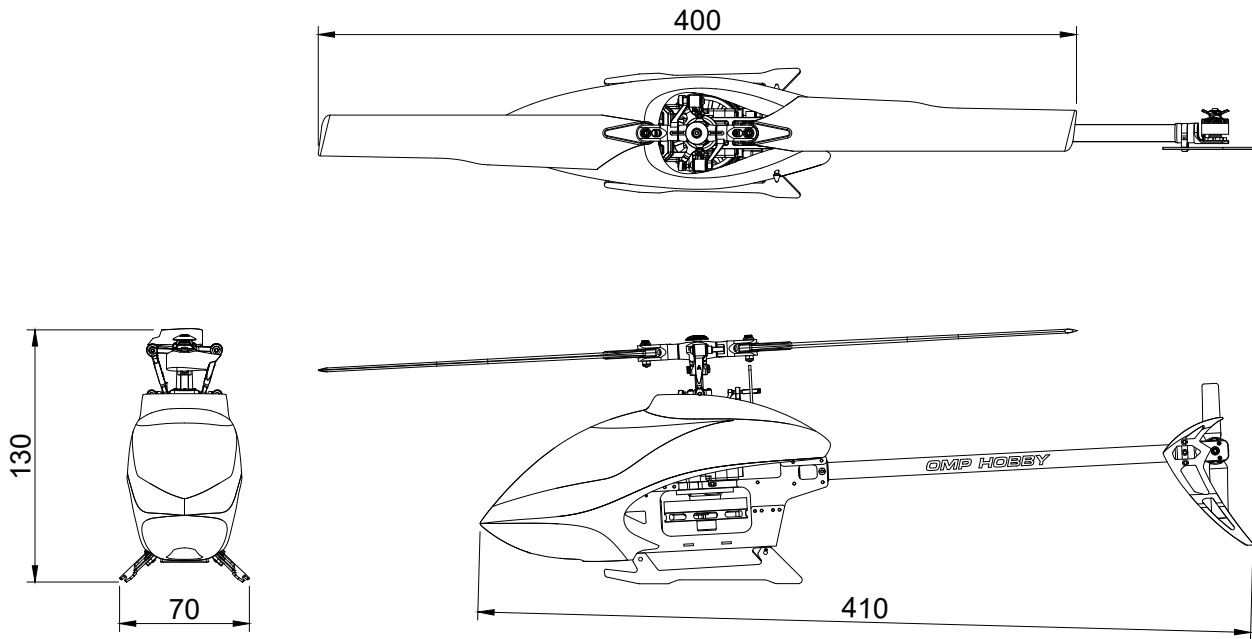
Apply MEDIUM CA
使用瞬间胶固定



Repeat Multiple Times
重复多次



BLUE Glue width: approx 1mm
蓝色螺丝胶上胶宽度约1.0mm



Specifications 参数配备

- | | |
|-------------------------------|-----------------|
| ● Length: 410mm | ● 机身长: 410mm |
| ● Height: 130mm | ● 机身高: 130mm |
| ● Main Blade: 173mm | ● 主旋翼长度: 173mm |
| ● Main Rotor Diameter: 400mm | ● 主旋翼直径: 400mm |
| ● Tail Rotor Diameter: 71.5mm | ● 尾旋翼直径: 71.5mm |
| ● Flying Weight: 300g | ● 起飞重量约: 300g |

Features 设计特点

- | | |
|---|------------------------|
| ● Direct drive main and tail rotor design with dual brushless motor | ● 采用双无刷电机直接驱主尾旋翼设计 |
| ● All metal 7075 aluminum alloy material flybarless head design | ● 全金属7075铝合金材质无副翼旋翼头设计 |
| ● Airframe all carbon fiber lightweight design | ● 机身全碳纤维轻量化设计 |
| ● Streamlined low wind resistance hood design | ● 流线型低风阻机头罩设计 |
| ● 4 in 1 OFS control system | ● 四合一OFS控制系统 |
| ● Attitude stablization mode and 3D lock mode switch freely | ● 姿态增稳模式和3D锁定模式自由切换 |

Bearing-MR63ZZ
轴承(Ø3xØ6x2.5mm)x4

Washer
主夹头轴承衬(Ø3xØ4.4x1.4mm)x2

Spindle bearing spacer
横轴轴承垫片(Ø3.1xØ4.5x0.1mm)x2

Thrust bearing 0FM-6M
止推轴承(Ø3xØ6x2.8mm)x2

Obverse of bearing faces inside.
轴承面凹开口朝内

CAUTION
注意

Bearing-MR63ZZ
轴承
Ø3xØ6x2.5mm

Thrust bearing 0FM-6M
止推轴承-Ø3xØ6x2.8mm

Spindle bearing spacer
横轴轴承垫片(Ø3.1xØ4.5x0.1mm)x

Main rotor holder
主旋翼夹座

Washer
主夹头轴承衬套
Ø3xØ4.4x1.4mm

CAUTION
注意

Thrust bearing
止推轴承(Ø3xØ6x2.8)

(OUT)
内径较小

(IN)
内径较大

主旋翼夹座

Thrust bearing and washer for radial bearing are wear items, and thus should be inspected for replacement after every 20 flights.

For flights with high headspeed, the inspection interval should be reduced to ensure flight safety.

止推轴承及横轴垫圈属于飞行消耗品, 建议每20 躺定期检查及更换, 高主旋翼转速飞行时, 请缩短定期检查之趟数, 以确保飞行安全。

Bearing-MR63ZZ
轴承
Ø3xØ6x2.5mm

CAUTION
注意

原装组装完成品, 每一次飞行前请先确认螺丝是否已上胶不会松动。

Socket screw
圆柱头内六角螺丝
M1.6x4mm

Brake Disc
刹车碟

Feathering shaft
横轴Ø5x58mm

Metal main rotor housing
金属主旋翼固定座

Socket screw
圆柱头内六角螺丝(M1.6x4mm)x1

Washer
垫片(Ø2.1xØ5x0.2mm)x2

Socket screw
圆头内六角螺丝(M2x6mm)x2

Washer
垫片(Ø3xØ5x0.6mm)x2

Damper rubber-red
横轴避震套
(Ø2.95xØ5.95x2.9mm)x2

Damper rubber
横轴避震套
Ø2.95xØ5.95x2.9mm

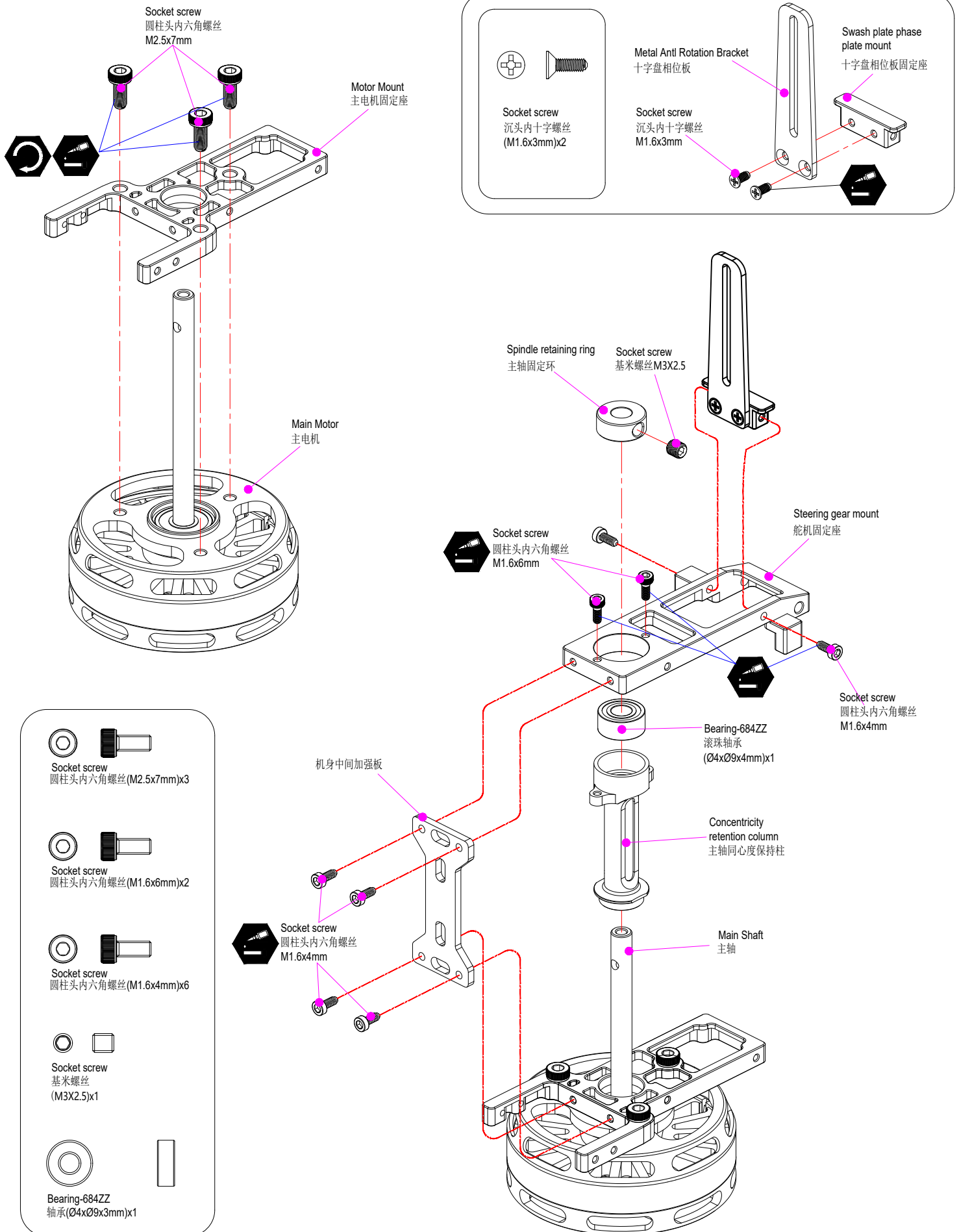
Washer
垫片-Ø3xØ5x0.6mm

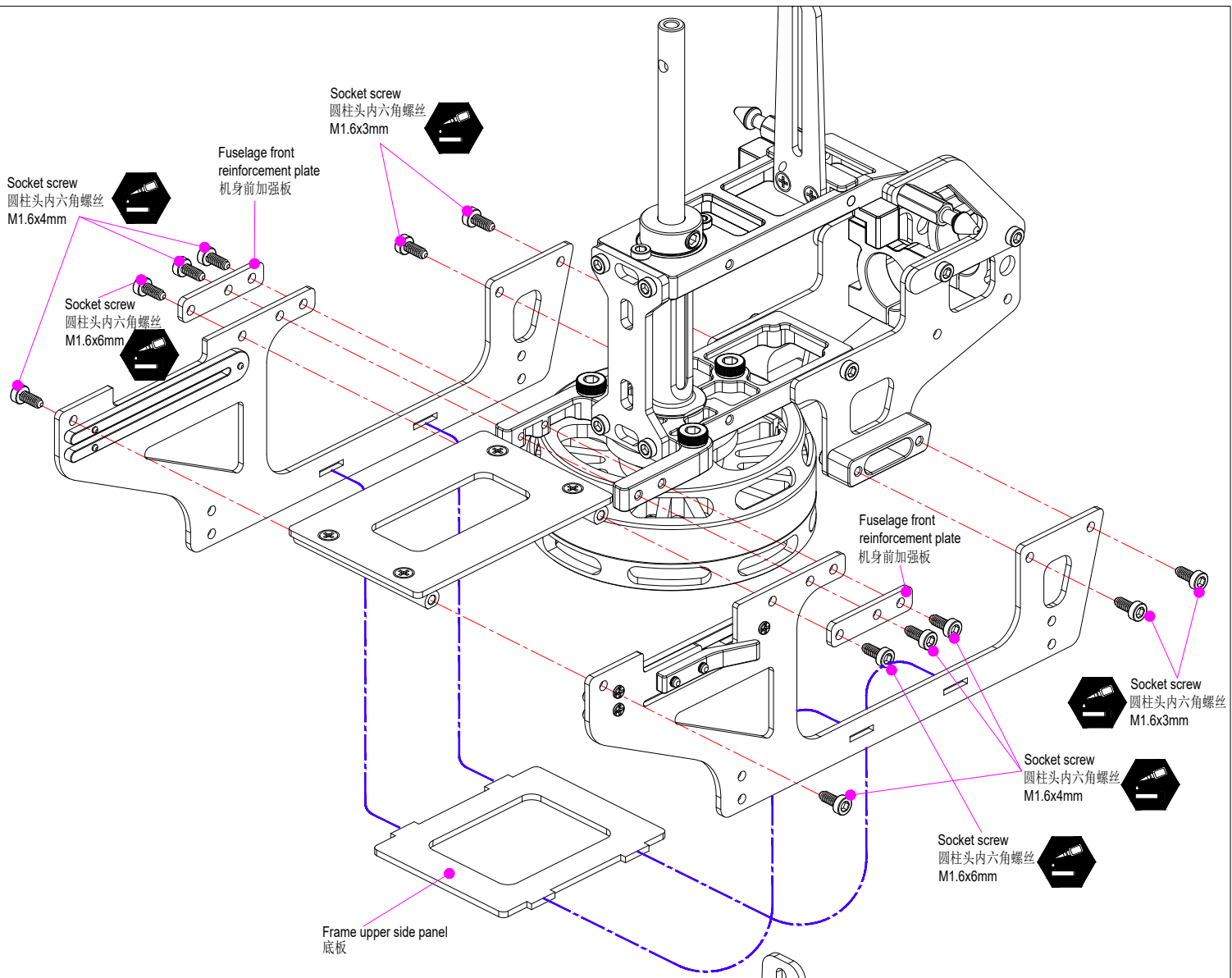
Washer
垫片
Ø2xØ5x0.2mm

Socket screw
圆柱头内六角螺丝
M2x6mm

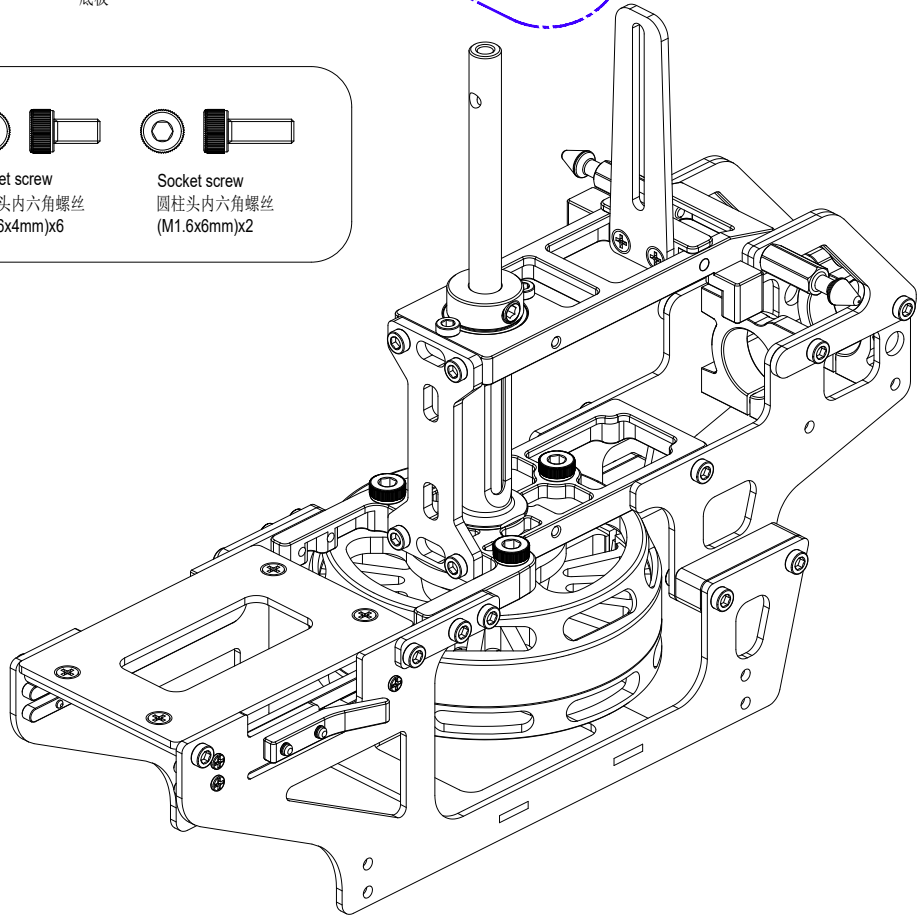
CAUTION
注意

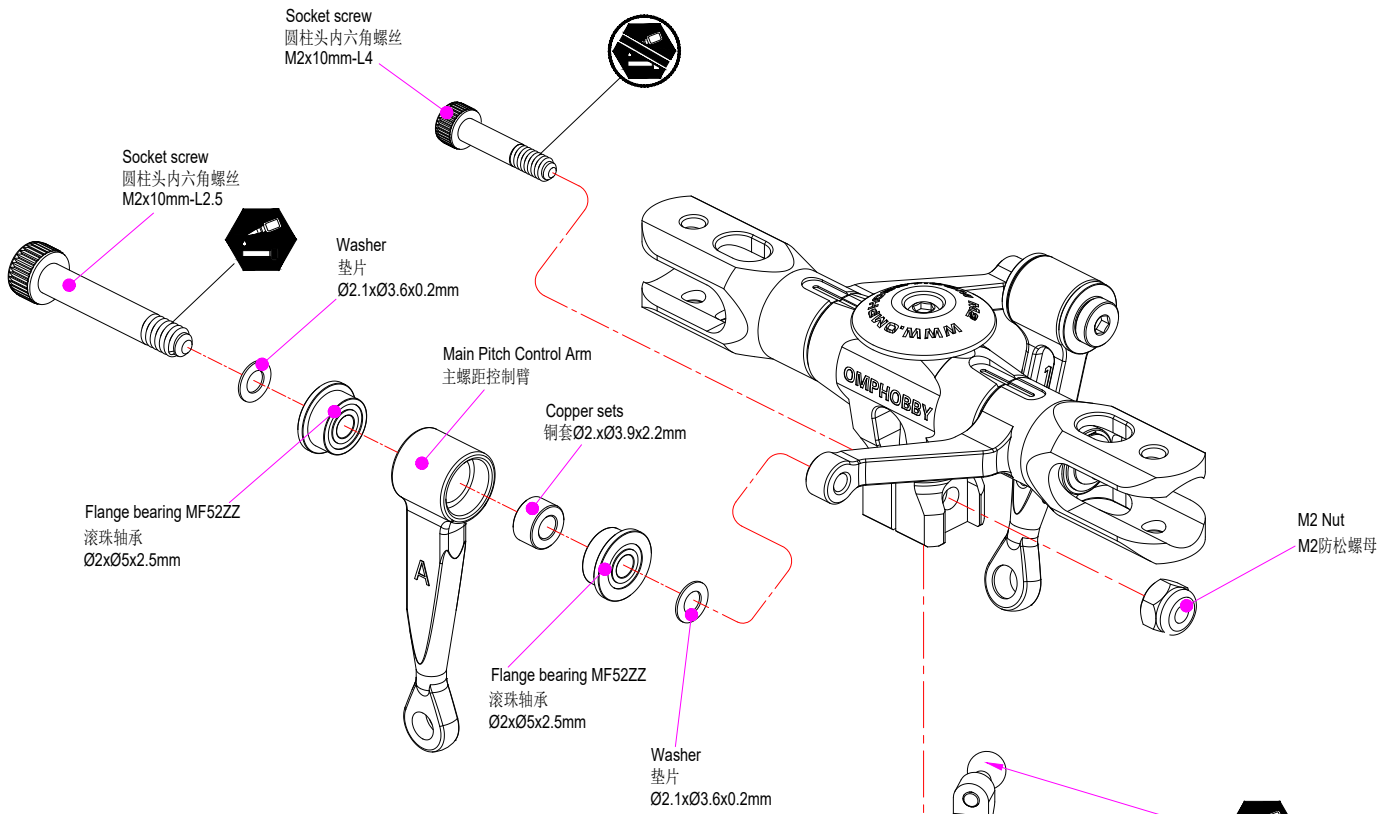
Pay attention to the direction of the copper washer
铜套台阶端面朝轴承方向


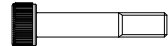








Socket screw 圆柱头内六角螺丝 (M1.6x3mm)x4	Socket screw 圆柱头内六角螺丝 (M1.6x4mm)x6	Socket screw 圆柱头内六角螺丝 (M1.6x6mm)x2

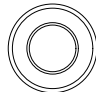




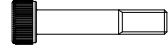




- 




Socket screw
圆柱头内六角螺丝(M2x10mm-L2.5)x2
- 


Washer
垫片(Ø2.1xØ3.6x0.2mm)x4
- 


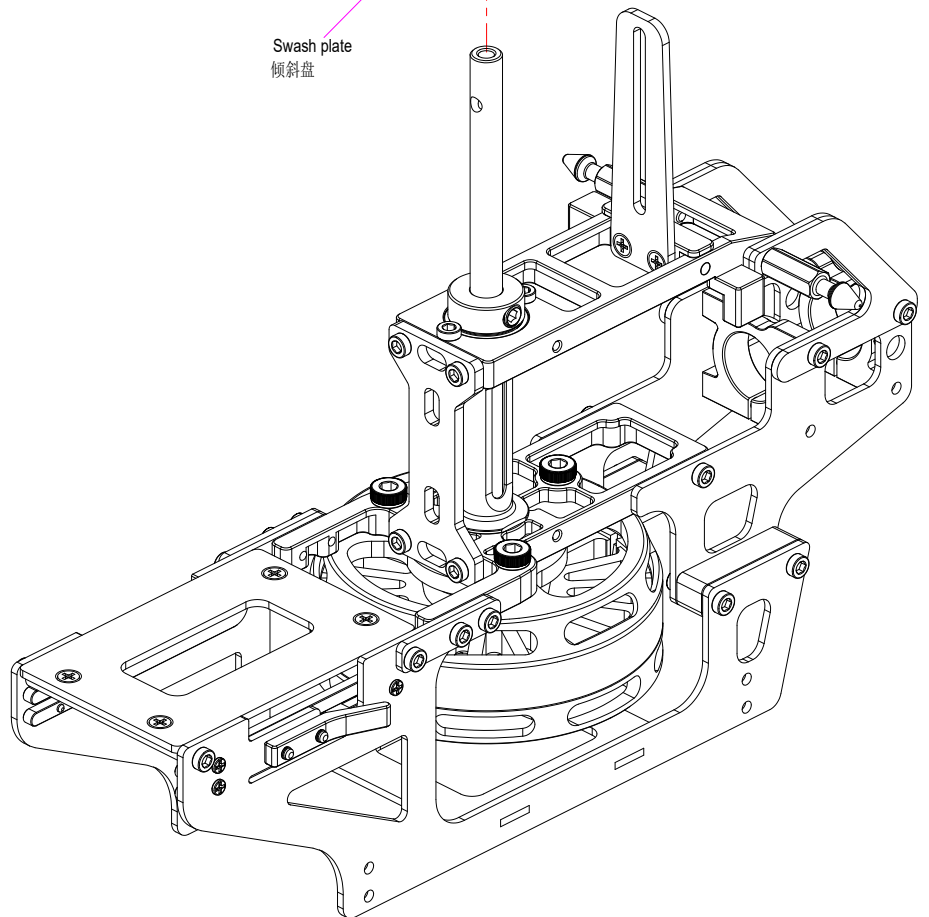
Flange bearing MF52ZZ
滚珠轴承(Ø2xØ5x2.5mm)x4
- 


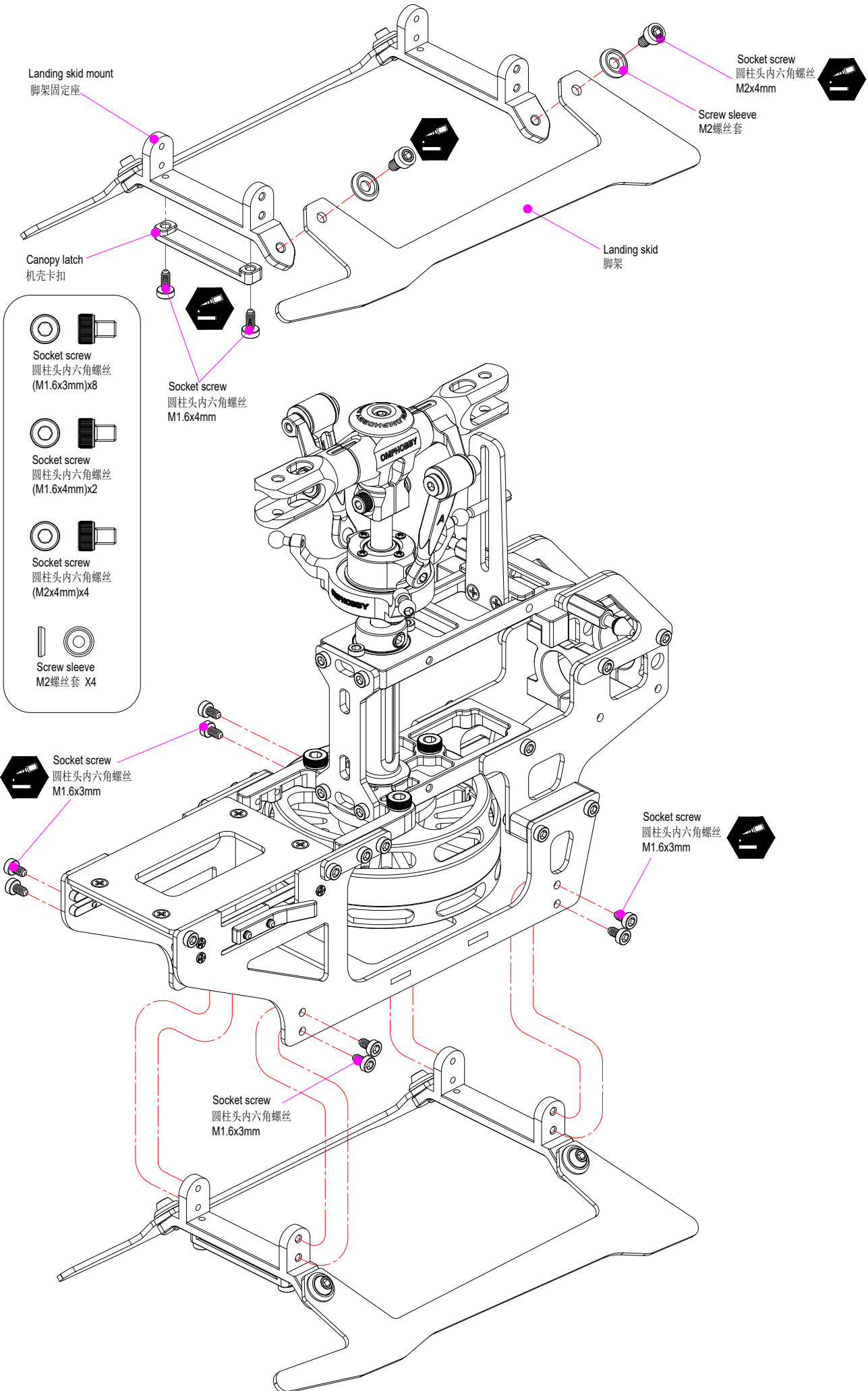
Copper sets
铜套(Ø2.xØ3.9x2.2mm)x2
- 


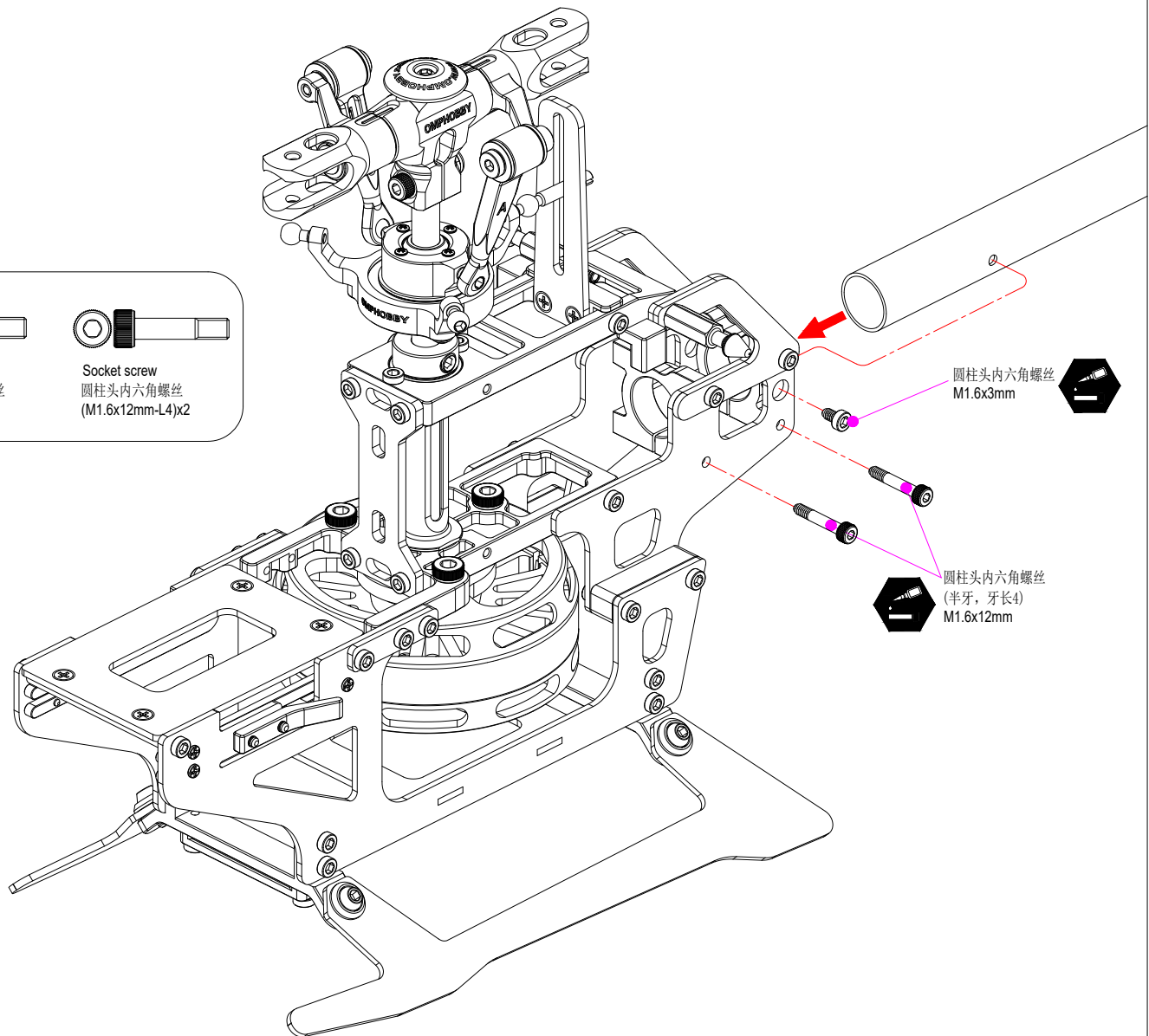
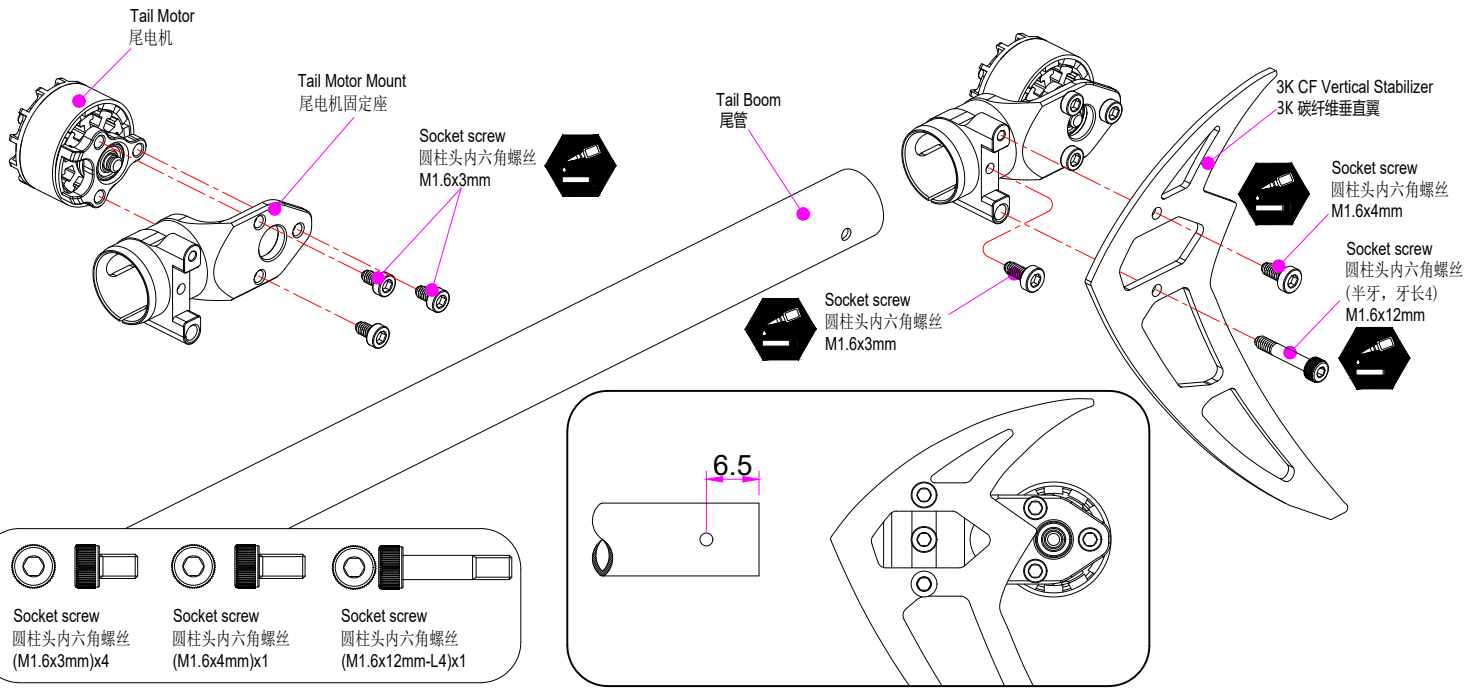
Socket screw
圆柱头内六角螺丝(M2x10mm-L4)x1
- 


M2 Nut
M2防松螺母(M2)x1
- 


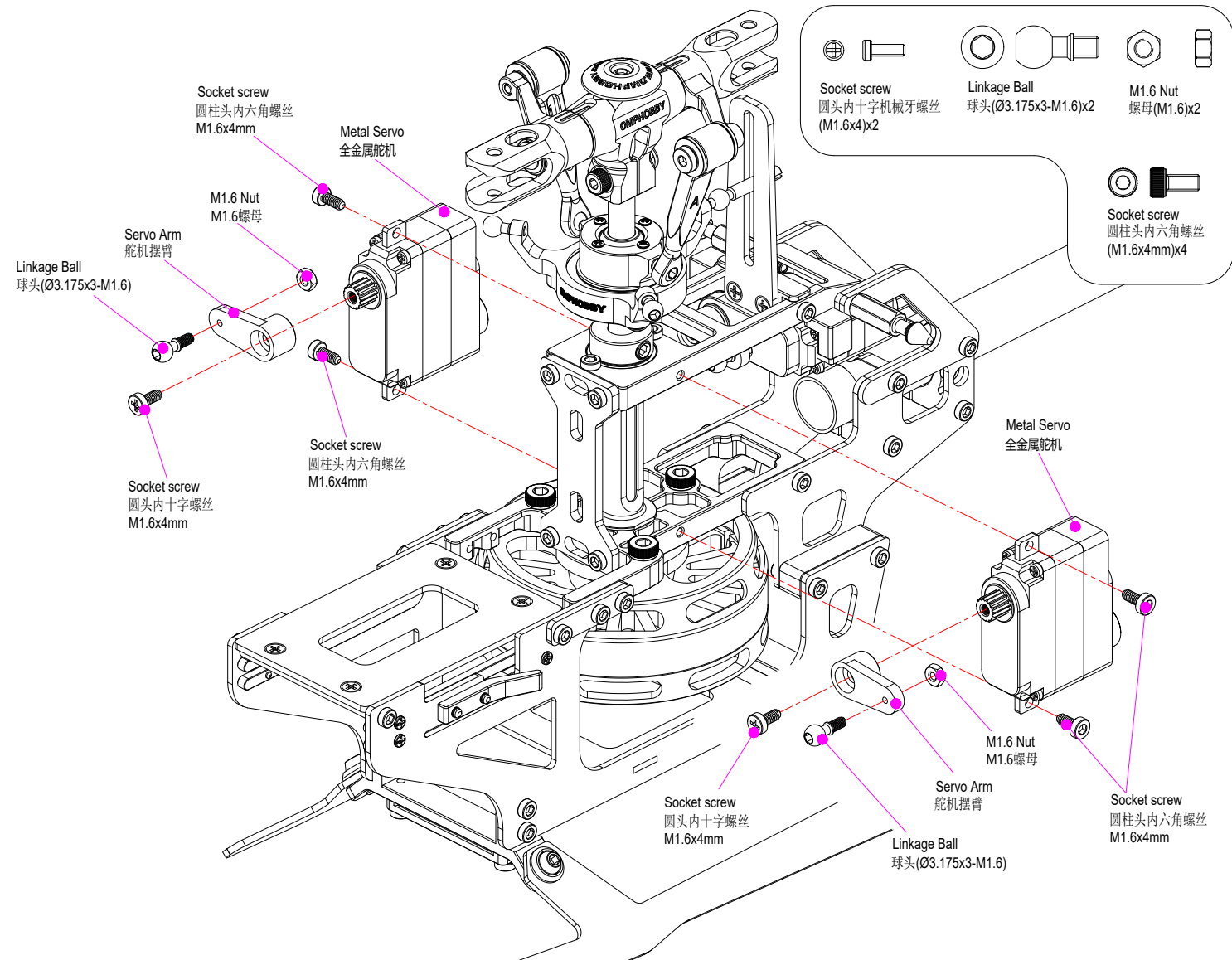
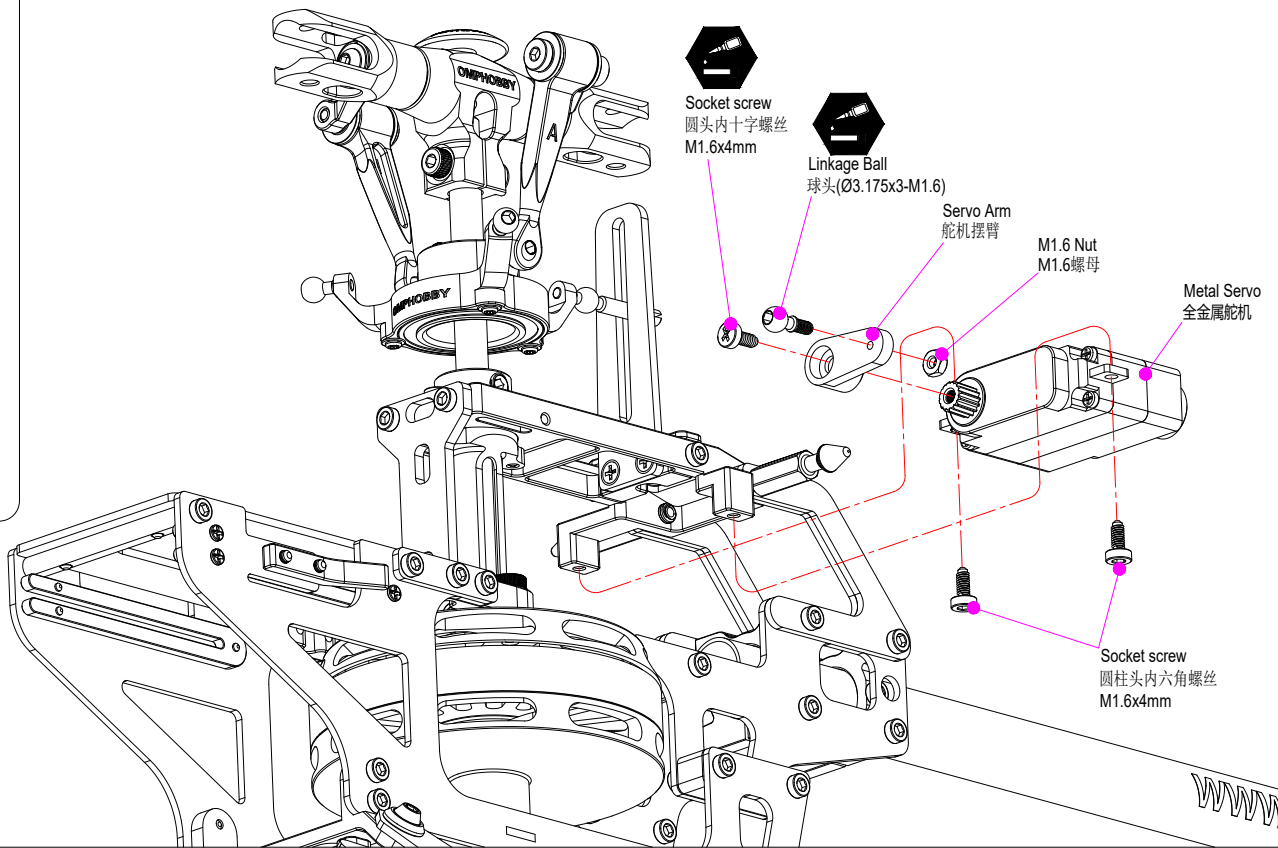
Socket screw
半圆头内十字机械牙半牙螺丝
(M1.4x4-L2)x4

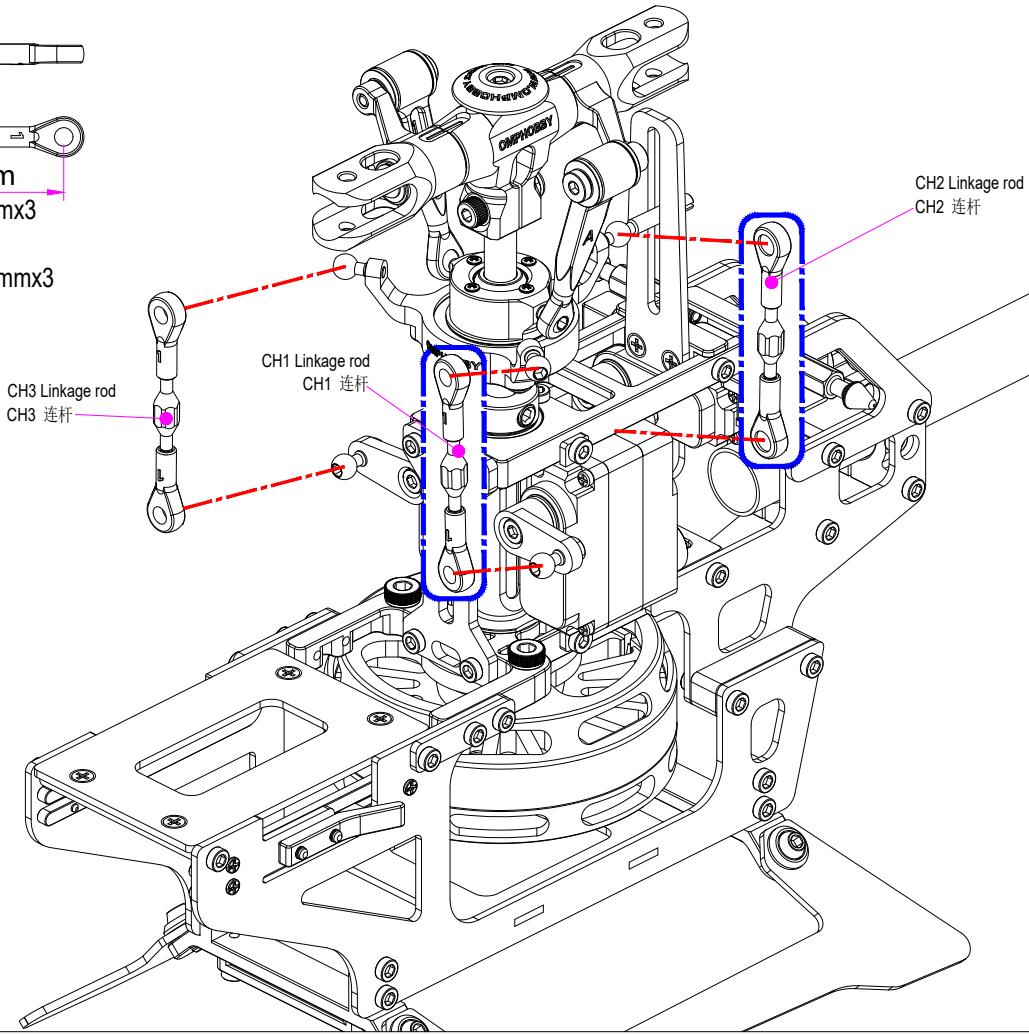
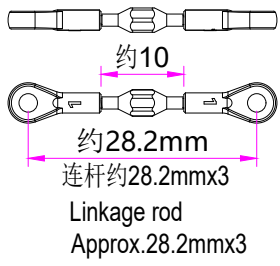




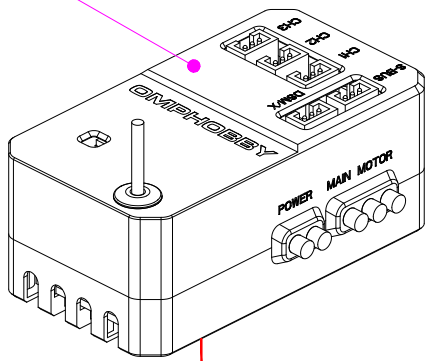


Socket screw
圆柱头内六角螺丝
(M1.6x3mm)x2
 Socket screw
圆头内十字机械牙螺丝
(M1.6x4)x1
 Linkage Ball
球头(Ø3.175x3-M1.6)x1
 M1.6 Nut
螺母(M1.6)x1





Flight Control
飞控

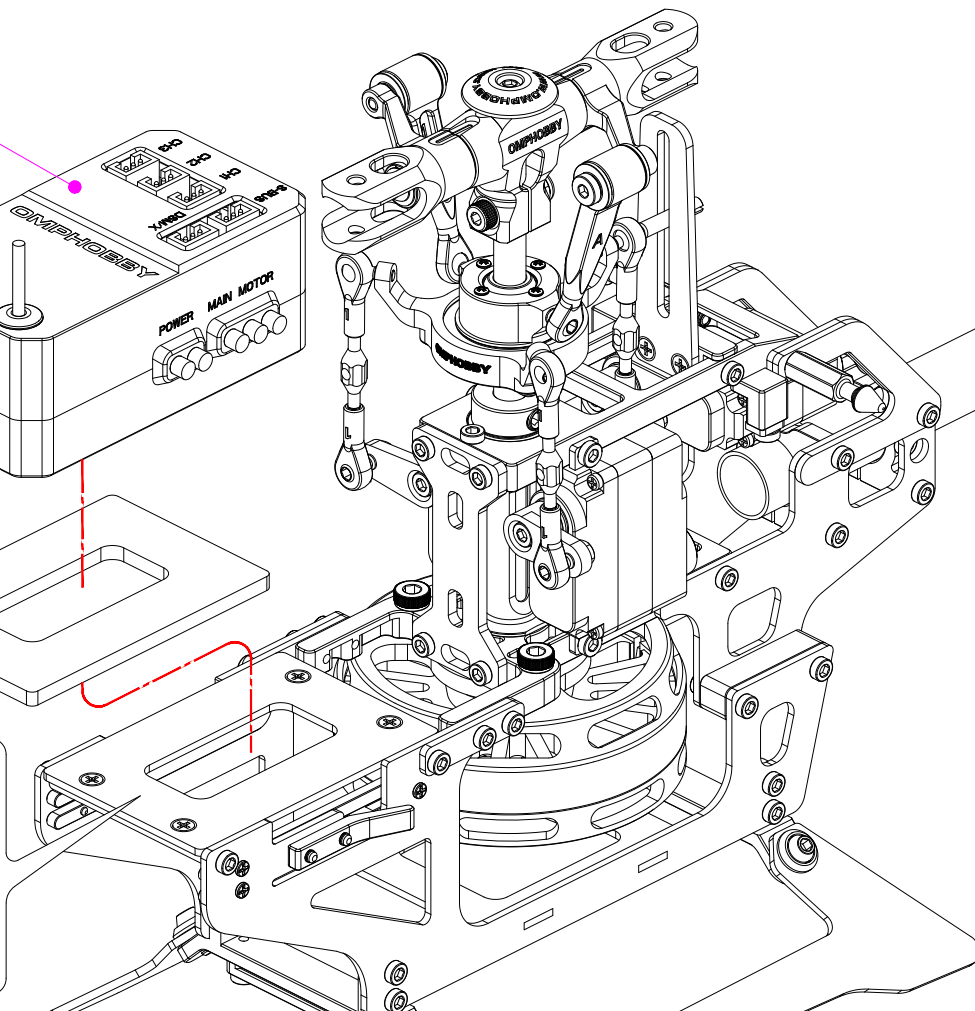


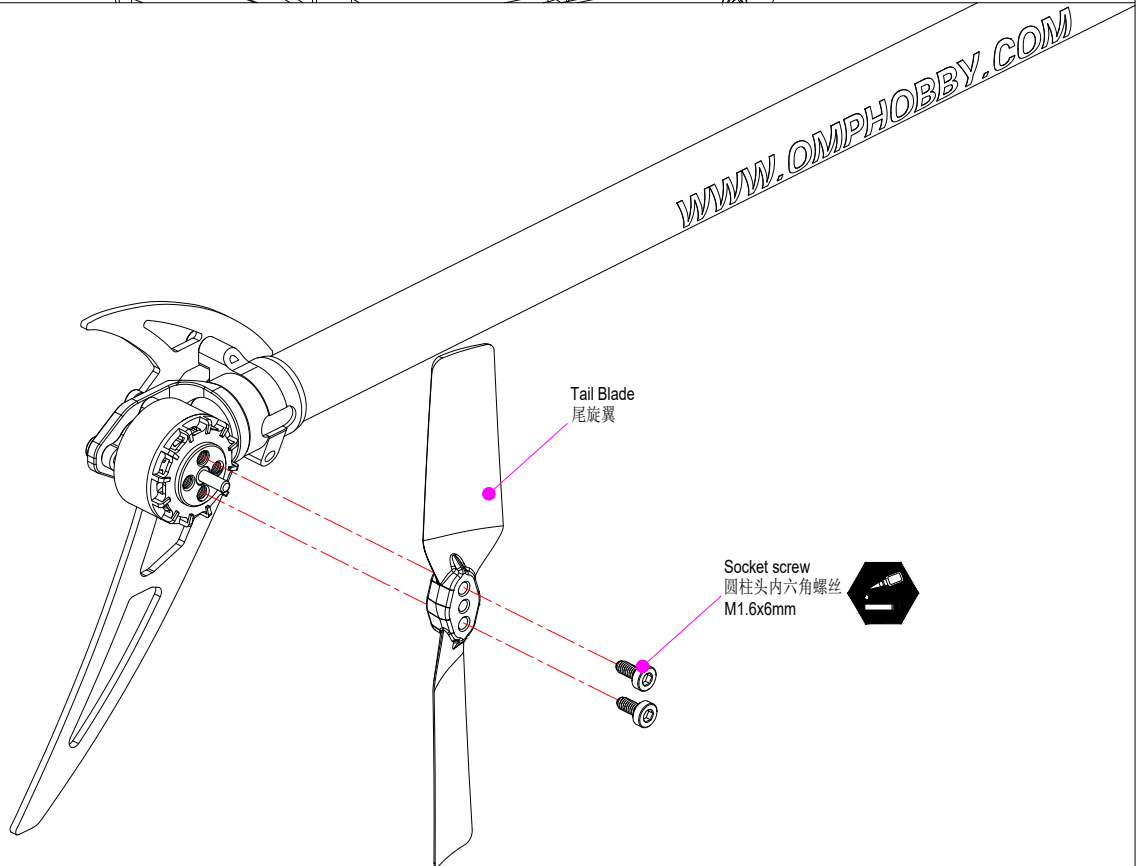
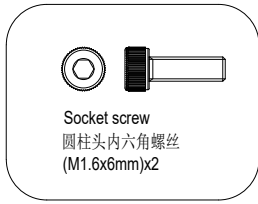
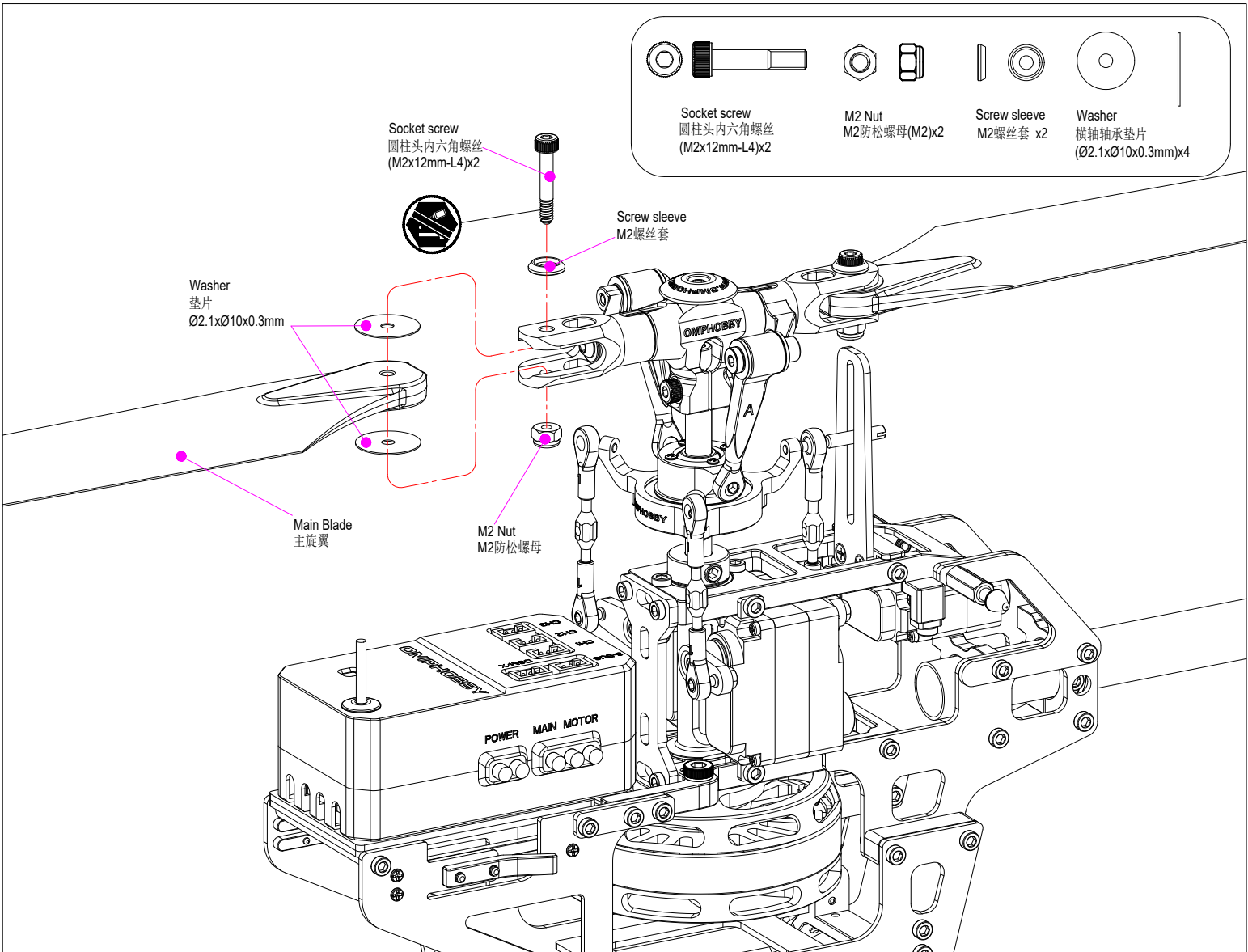
Double-sided tape
双面胶

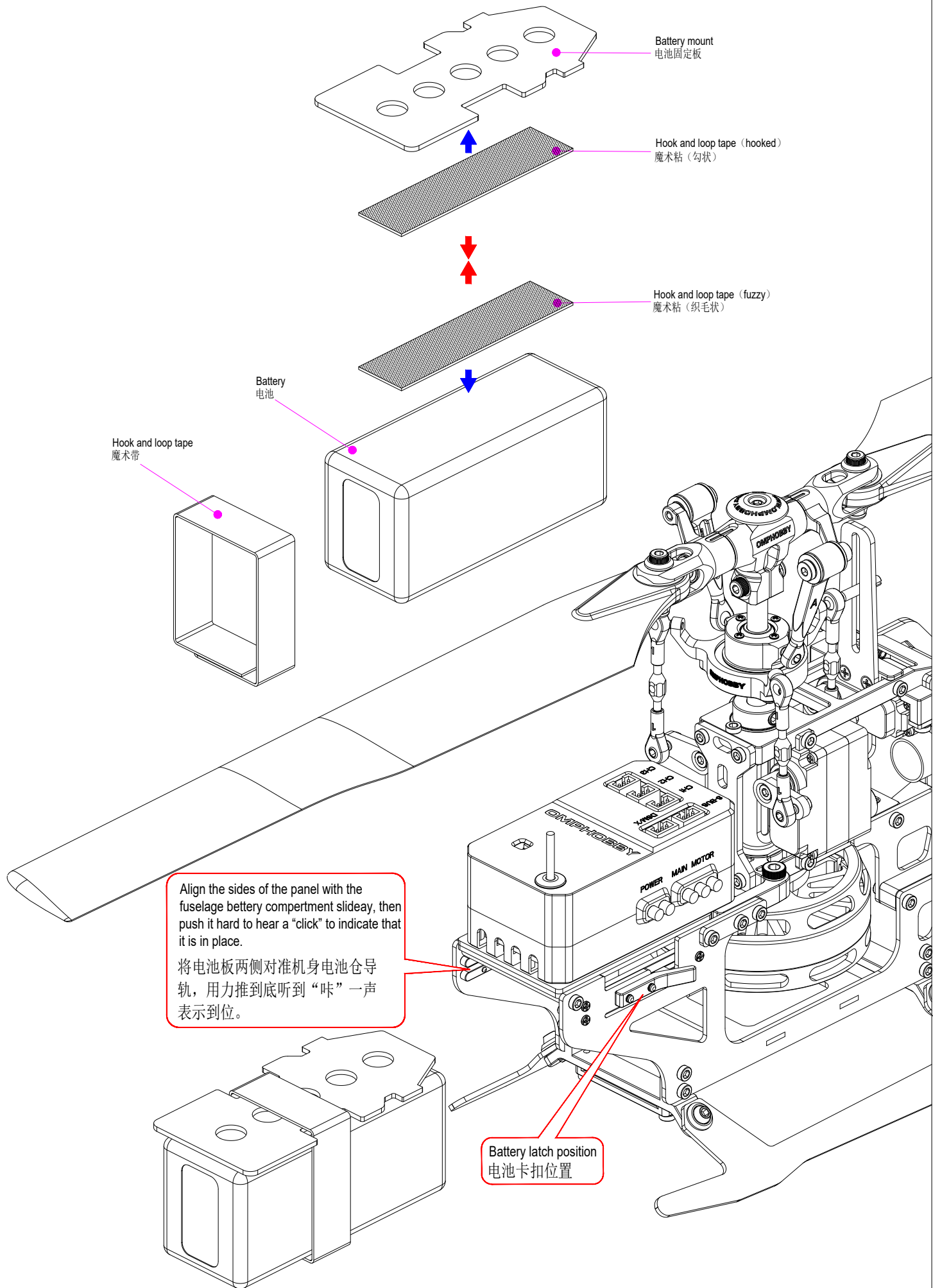
CAUTION
注意

Note: First, the double-sided damping rubber should be fully fitted with the receiver board, and then install the flight control. The flight control must be completely parallel to the fuselage to achieve the best flight performance.

注意：先将双面减震胶与接收机板完全贴合好，再安装飞控。飞控必须与机身完全平行，以达到最佳的飞行效果。

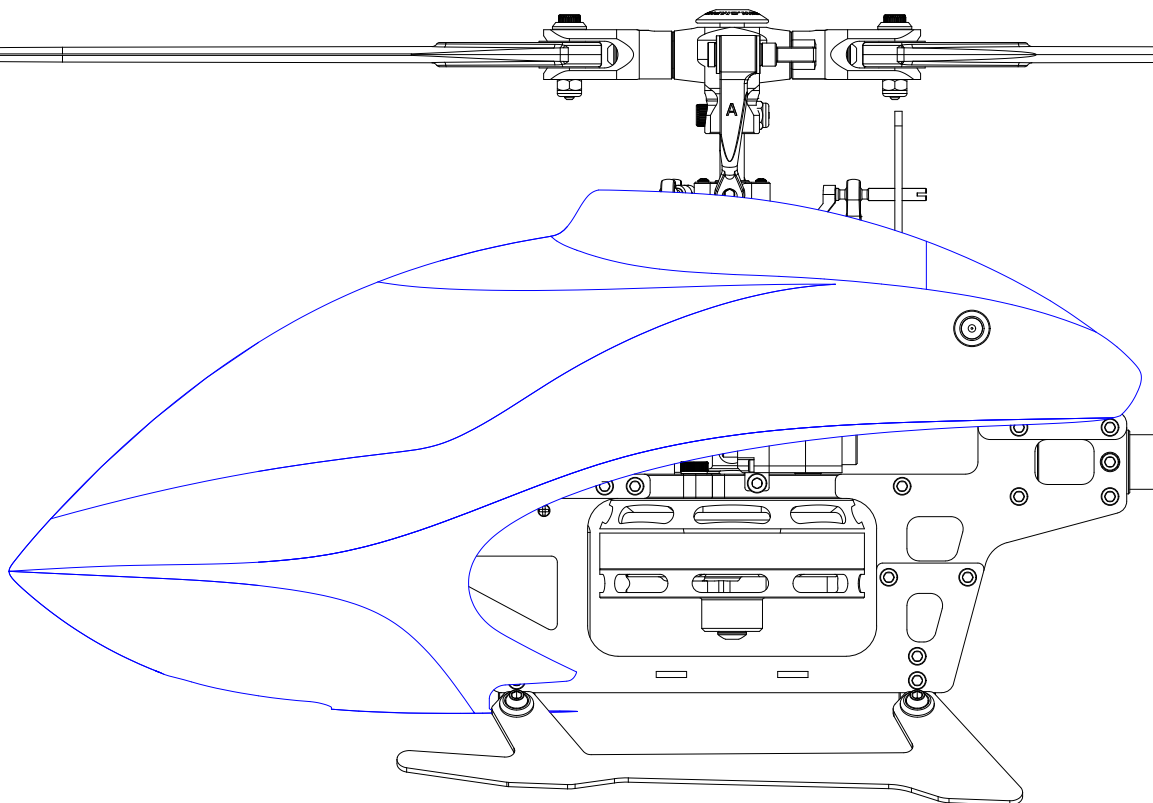
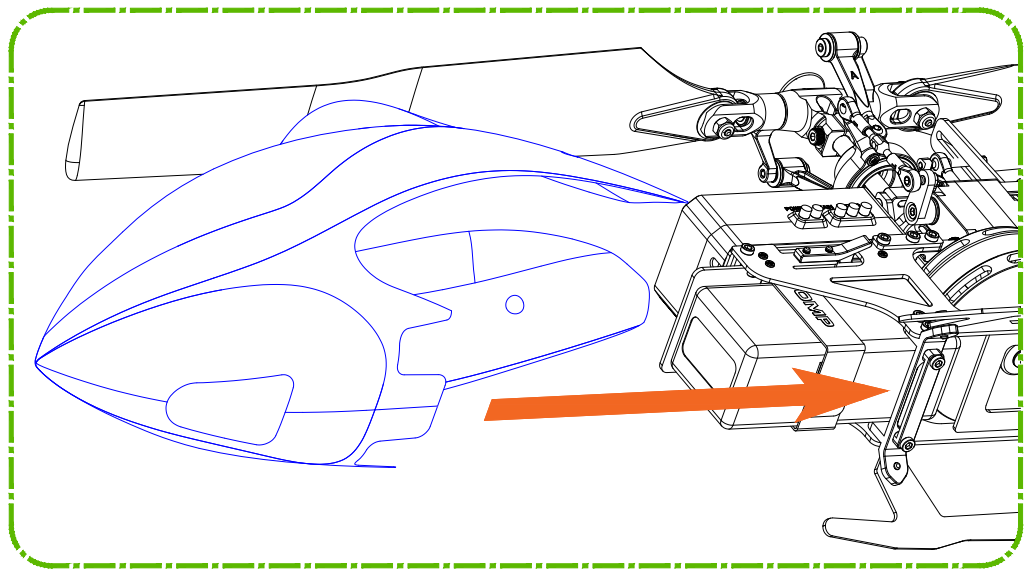
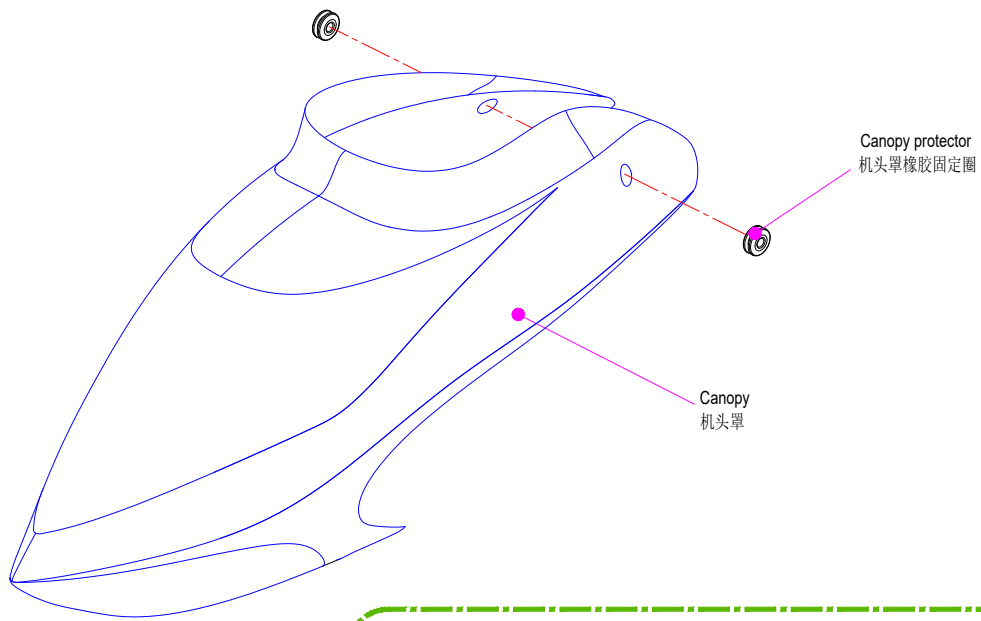


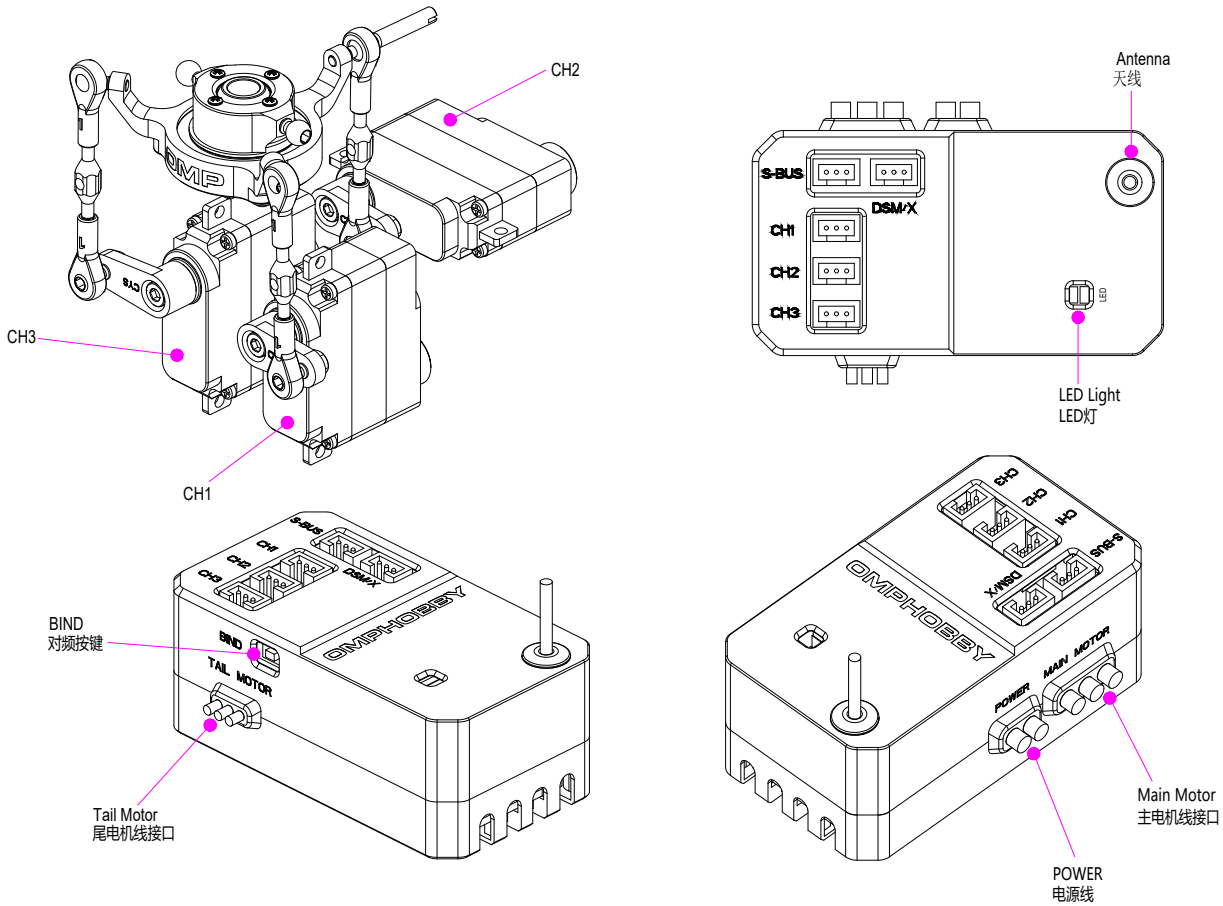




Align the sides of the panel with the fuselage battery compartment slide, then push it hard to hear a "click" to indicate that it is in place.
 将电池板两侧对准机身电池仓导轨，用力推到底听到“咔”一声表示到位。

Battery latch position
 电池卡扣位置





Flight Parameter Setting Introduction
飞行参数设置说明

General Flight Model 一般飞行模式			
Throttle 油门		Screw Pitch 螺距	
5	100	100	12°
4	75	65	6°
3	60	15	1.8°
2	40	-5	-0.6°
1	0	-20	-2.4°

IDLE 1 Model IDLE 1模式			
Throttle 油门		Screw Pitch 螺距	
5	100	100	12°
4	80	50	6°
3	65	5	0.6°
2	80	-50	-6°
1	100	-100	-12°

IDLE 1 Model IDLE 2模式			
Throttle 油门		Screw Pitch 螺距	
5	100	100	12°
4	95	50	6°
3	90	0	0°
2	95	-50	-6°
1	100	-100	-12°

Attitude mode /3D mode 姿态模式/3D模式		
Modes 模式	CH5	Flight Control LED 飞控LED
Attitude Modes 姿态模式	75-100	Blue LED Steady Lit 蓝灯常亮
		Red LED Steady Lit 红灯常亮
3D Modes 3D模式	0-25	Blue LED Steady Lit 蓝灯常亮
		Red LED Slow Flash 红灯慢闪

Power On Self Test / Binding 通电自检/对频	
Status 状态	Flight Control LED 飞控LED
Power On Self Test 上电自检	<p>The M2 should be placed on the ground to be energized. After power on, the blue and red led flash quickly and wait for 3 seconds until the blue led is steady lit.</p> <p>需将M2放在平地上通电，通电后蓝灯、红灯快闪，静止3秒钟直到蓝灯常亮。</p>
Before Binding 对频前	Blue LED Slow Flash 蓝灯慢闪
After Binding 对频后	Blue LED Steady Lit 蓝灯常亮

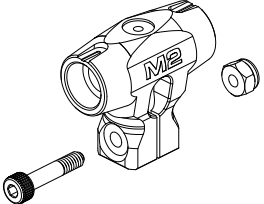
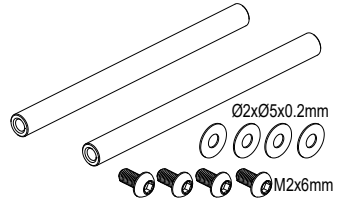
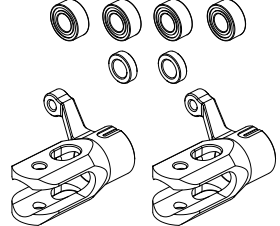
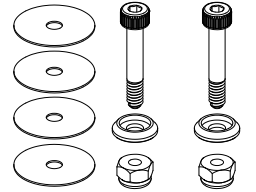
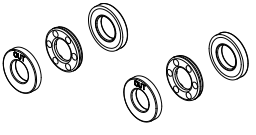

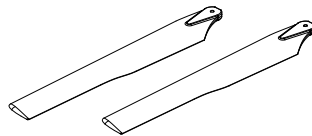
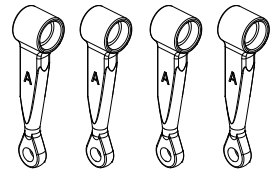
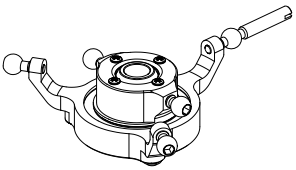

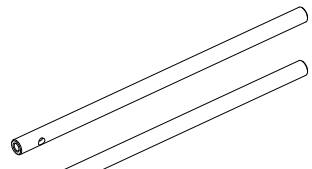
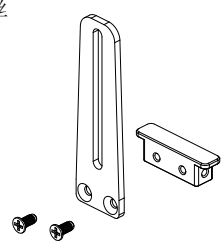
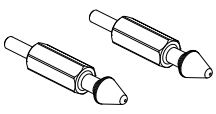
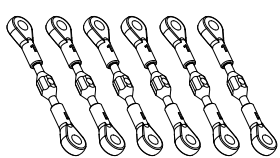
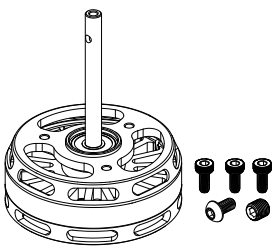
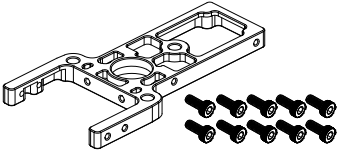
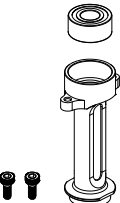
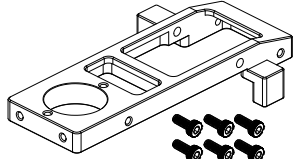
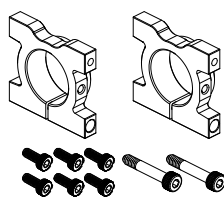
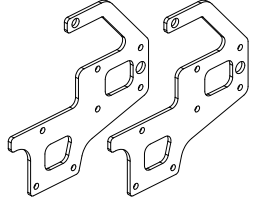
**Servo Neutral Position Adjustment
舵机中位调整**

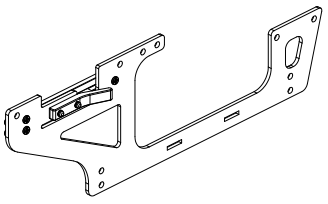
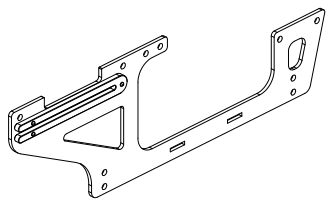
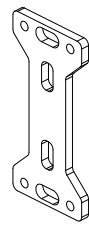
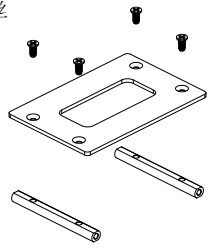
Please disconnect the main tail motor power cord before debugging to avoid potential safety hazards!

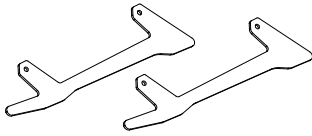
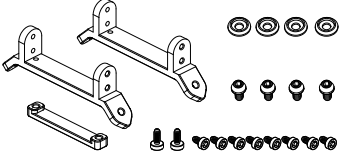
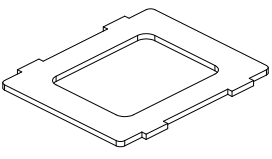
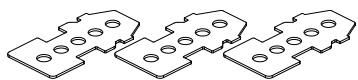
- Turn on the remote control and power on the aircraft. After the aircraft self-test, the servo can be normally controlled;
- Put the throttle stick to the lowest position and push the elevator rudder to the highest until the flight control LED flashes red quickly;
- Push the throttle stick to the high position through the aileron, lift and direction rocker respectively.
- Push the throttle stick to the lowest position, and push the elevator stick to the highest until the red led flashes slowly or constantly, and the servo neutral position is saved.

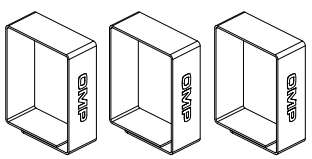
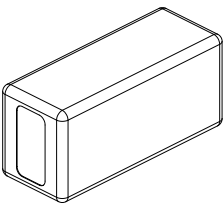
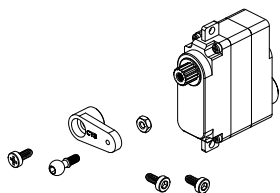
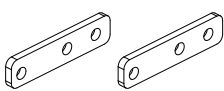
在更换舵机，飞控，需要重新检查舵机中点。
调试前请先断开主尾马达电源线，避免安全隐患！

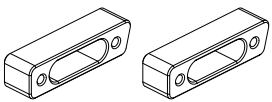
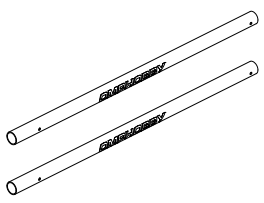
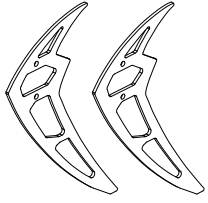
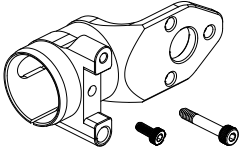
- 打开遥控器电源，给飞机通电，飞机自检后可以正常控制舵机工作状态；
- 将油门摇杆放到最低，升降舵摇杆推到最高直到飞控LED红灯快闪；
- 将油门摇杆推到最高，此时可以分别通过副翼、升降、方向摇杆调整对应舵机中位；
- 将油门摇杆拉到最低，升降舵摇杆推到最高直到红灯慢闪或常亮，舵机中点保存完成。

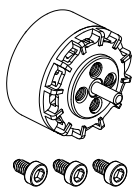
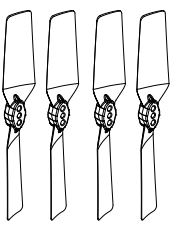
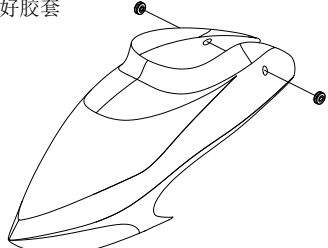
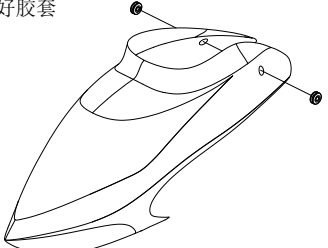
<p>Model: OSHM2001 配件编号: OSHM2001 Package: Hang tag +PE bag 包装方式: 吊卡+PE袋 Product name: Metal Main Rotor Housing set 配件名称: 主轴中心座组</p> 	<p>Model: OSHM2002 配件编号: OSHM2002 Package: Hang tag +PE bag 包装方式: 吊卡+PE袋 Product name: Feathering shaft set 配件名称: 横轴组</p>  <p>Ø2xØ5x0.2mm M2x6mm</p>	<p>Model: OSHM2003 配件编号: OSHM2003 Package: Hang tag +PE bag 包装方式: 吊卡+PE袋 Product name: Plastics Main Rotor Holder set 配件名称: 主夹头组</p> <p>压好轴承</p> 	<p>Model: OSHM2004 配件编号: OSHM2004 Package: Hang tag +PE bag 包装方式: 吊卡+PE袋 Product name: Main Rotor Holder Screw group 配件名称: 主桨夹螺丝组</p> 
<p>Model: OSHM2005 配件编号: OSHM2005 Package: Hang tag +PE bag 包装方式: 吊卡+PE袋 Product name: Thrust Bearing 配件名称: 平面推力轴承组</p> 	<p>Model: OSHM2006 配件编号: OSHM2006 Package: Hang tag +PE bag 包装方式: 吊卡+PE袋 Product name: Brake Disc Set 配件名称: 刹车碟组</p> 	<p>Model: OSHM2007 配件编号: OSHM2007 Package: Hang tag +PE bag 包装方式: 吊卡+PE袋 Product name: 175mm Main Blades(Orange) 配件名称: 175 主旋翼组-(魔力橙)</p> 	<p>Model: OSHM2008 配件编号: OSHM2008 Package: Hang tag +PE bag 包装方式: 吊卡+PE袋 Product name: FBL Pros and Cons linkage rod 配件名称: 主螺旋距控制臂组</p> 
<p>Model: OSHM2009 配件编号: OSHM2009 Package: Hang tag +PE bag 包装方式: 吊卡+PE袋 Product name: Swash plate set 配件名称: 倾斜盘组</p> 	<p>Model: OSHM2010 配件编号: OSHM2010 Package: Hang tag +PE bag 包装方式: 吊卡+PE袋 Product name: Metal Main Rotor Housing set 配件名称: 主轴固定环组</p> 	<p>Model: OSHM2011 配件编号: OSHM2011 Package: Hang tag +PE bag 包装方式: 吊卡+PE袋 Product name: Ø4 main Shaft Set 配件名称: 主轴组</p> 	<p>Model: OSHM2012 配件编号: OSHM2012 Package: Hang tag +PE bag 包装方式: 吊卡+PE袋 Product name: Croduct Phase Panel Set 配件名称: 十字盘相位板组</p> <p>锁好螺丝</p> 
<p>Model: OSHM2013 配件编号: OSHM2013 Package: Hang tag +PE bag 包装方式: 吊卡+PE袋 Product name: Canopy Fixed Bolt Set 配件名称: 机头罩固定柱组</p> 	<p>Model: OSHM2014 配件编号: OSHM2014 Package: Hang tag +PE bag 包装方式: 吊卡+PE袋 Product name: Servo Linkage Rod Set 配件名称: 舵机连杆组</p> <p>连杆与拉杆头组装好</p> 	<p>Model: OSHM2015 配件编号: OSHM2015 Package: Hang tag +PE bag 包装方式: 吊卡+PE袋 Product name: Main Motor Set(Orange) 配件名称: 主电机组-(魔力橙)</p> 	<p>Model: OSHM2016 配件编号: OSHM2016 Package: Hang tag +PE bag 包装方式: 吊卡+PE袋 Product name: Main Motor Mount Set 配件名称: 主电机固定座组</p> 
<p>Model: OSHM2017 配件编号: OSHM2017 Package: Hang tag +PE bag 包装方式: 吊卡+PE袋 Product name: Concentricity Retention Column Set 配件名称: 同心度保持架组</p> <p>压好轴承</p> 	<p>Model: OSHM2018 配件编号: OSHM2018 Package: Hang tag +PE bag 包装方式: 吊卡+PE袋 Product name: Servo Mount set 配件名称: 舵机固定座组</p> 	<p>Model: OSHM2019 配件编号: OSHM2019 Package: Hang tag +PE bag 包装方式: 吊卡+PE袋 Product name: Tail Boom Mount Set 配件名称: 尾管固定座组</p> 	<p>Model: OSHM2020 配件编号: OSHM2020 Package: Hang tag +PE bag 包装方式: 吊卡+PE袋 Product name: Frame Upper Carbon Fiber Set 配件名称: 机身上碳纤维板组</p> 

<p>Model: OSHM201 配件编号: OSHM201 Package: Hang tag +PE bag 包装方式: 吊卡+PE袋 Product name: Fuselage Lower Left Carbon Fiber Board Set 配件名称: 机身左下碳纤维板组</p> <p>锁好螺丝</p> 	<p>Model: OSHM202 配件编号: OSHM202 Package: Hang tag +PE bag 包装方式: 吊卡+PE袋 Product name: Fuselage Lower Right Carbon Fiber Board Set 配件名称: 机身右下碳纤维板组</p> <p>锁好螺丝</p> 	<p>Model: OSHM203 配件编号: OSHM203 Package: Hang tag +PE bag 包装方式: 吊卡+PE袋 Product name: Fuselage Middle Reinforcement Plate Set 配件名称: 机身中加强板组</p> 	<p>Model: OSHM204 配件编号: OSHM204 Package: Hang tag +PE bag 包装方式: 吊卡+PE袋 Product name: Flight Control Mounting Panel Set 配件名称: 飞控固定板组</p> <p>锁好螺丝</p> 
--	--	---	---

<p>Model: OSHM205 配件编号: OSHM205 Package: Hang tag +PE bag 包装方式: 吊卡+PE袋 Product name: Landing Skids Set(Orange) 配件名称: 脚架组-(魔力橙)</p> 	<p>Model: OSHM206 配件编号: OSHM206 Package: Hang tag +PE bag 包装方式: 吊卡+PE袋 Product name: Landing Skids Mounts Set 配件名称: 脚架固定座组</p> 	<p>Model: OSHM207 配件编号: OSHM207 Package: Hang tag +PE bag 包装方式: 吊卡+PE袋 Product name: Fuselage Baseplate Set 配件名称: 机身底板组</p> 	<p>Model: OSHM208 配件编号: OSHM208 Package: Hang tag +PE bag 包装方式: 吊卡+PE袋 Product name: Battery Panel Set 配件名称: 电池板组</p> 
---	--	--	---

<p>Model: OSHM209 配件编号: OSHM209 Package: Hang tag +PE bag 包装方式: 吊卡+PE袋 Product name: Battery Strap Set 配件名称: 电池绑带组</p> 	<p>Model: OSHM2030 配件编号: OSHM2030 Package: Hang tag +PE bag 包装方式: 吊卡+PE袋 Product name: Lithium Battery Set 配件名称: 锂电池组</p> 	<p>Model: OSHM2031 配件编号: OSHM2031 Package: Hang tag +PE bag 包装方式: 吊卡+PE袋 Product name: Servo Set 配件名称: 舵机组</p> 	<p>Model: OSHM2032 配件编号: OSHM2032 Package: Hang tag +PE bag 包装方式: 吊卡+PE袋 Product name: Frame Front Reinforcement Plate Set 配件名称: 机身前加强板组</p> 
---	---	---	--

<p>Model: OSHM2033 配件编号: OSHM2033 Package: Hang tag +PE bag 包装方式: 吊卡+PE袋 Product name: Frame Widening Mount Set 配件名称: 机身加宽座组</p> 	<p>Model: OSHM2034 配件编号: OSHM2034 Package: Hang tag +PE bag 包装方式: 吊卡+PE袋 Product name: Tail Boom Set 配件名称: 尾管组</p> 	<p>Model: OSHM2035 配件编号: OSHM2035 Package: Hang tag +PE bag 包装方式: 吊卡+PE袋 Product name: Vertical Rotor Set(Orange) 配件名称: 垂直翼组-(魔力橙)</p> 	<p>Model: OSHM2036 配件编号: OSHM2036 Package: Hang tag +PE bag 包装方式: 吊卡+PE袋 Product name: Tail Motor Mount Set 配件名称: 尾电机固定座组</p> 
---	--	---	---

<p>Model: OSHM2037 配件编号: OSHM2037 Package: Hang tag +PE bag 包装方式: 吊卡+PE袋 Product name: Tail Motor Set(Orange) 配件名称: 尾电机组-(魔力橙)</p> 	<p>Model: OSHM2038 配件编号: OSHM2038 Package: Hang tag +PE bag 包装方式: 吊卡+PE袋 Product name: Tail Screw Set(black) 配件名称: 尾螺旋桨组-黑色</p> 	<p>Model: OSHM2039 配件编号: OSHM2039 Package: Hang tag +PE bag 包装方式: 吊卡+PE袋 Product name: Canopy Set(Miami Blue) 配件名称: 机头罩-迈阿密蓝</p> <p>装好胶套</p> 	<p>Model: OSHM2040 配件编号: OSHM2040 Package: Hang tag +PE bag 包装方式: 吊卡+PE袋 Product name: Canopy Set(Charm Orange) 配件名称: 机头罩-魔力橙</p> <p>装好胶套</p> 
--	---	---	---

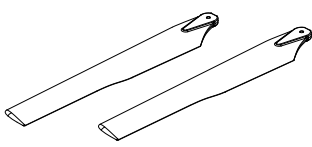
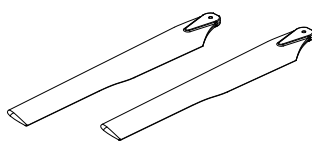
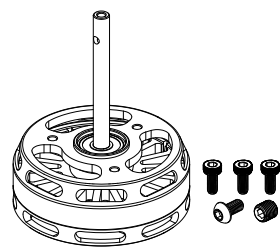
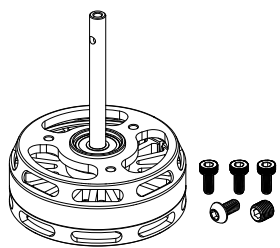
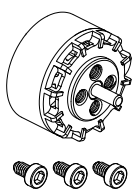

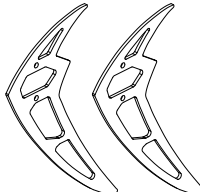
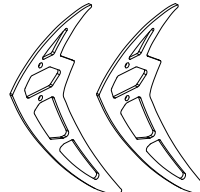
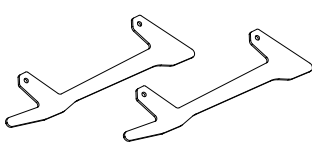
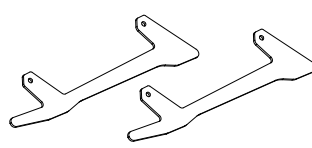
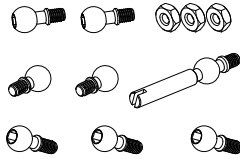
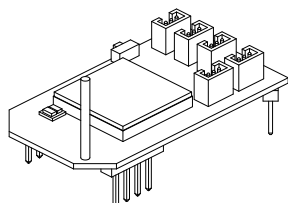
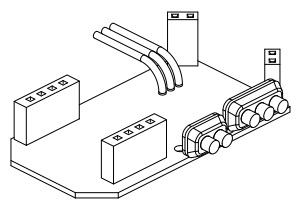
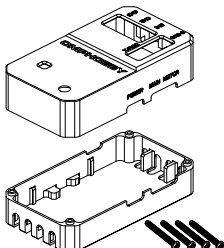

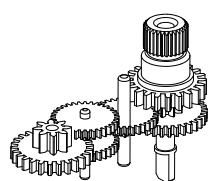
<p>Model: OSHM2041 Package: Hang tag +PE bag 配件编号: OSHM2041 包装方式: 吊卡+PE袋 Product name: Canopy Set(Racing Yellow) 配件名称: 机头罩-竞速黄</p>	<p>Model: OSHM2042 Package: Hang tag +PE bag 配件编号: OSHM2042 包装方式: 吊卡+PE袋 Product name: Main Rotor Support Frame Set 配件名称: 主翼支撑架组</p>	<p>Model: OSHM2043 Package: Hang tag +PE bag 配件编号: OSHM2043 包装方式: 吊卡+PE袋 Product name: Screw Kit Set 配件名称: 螺丝组</p>
<p>装好胶套</p>		

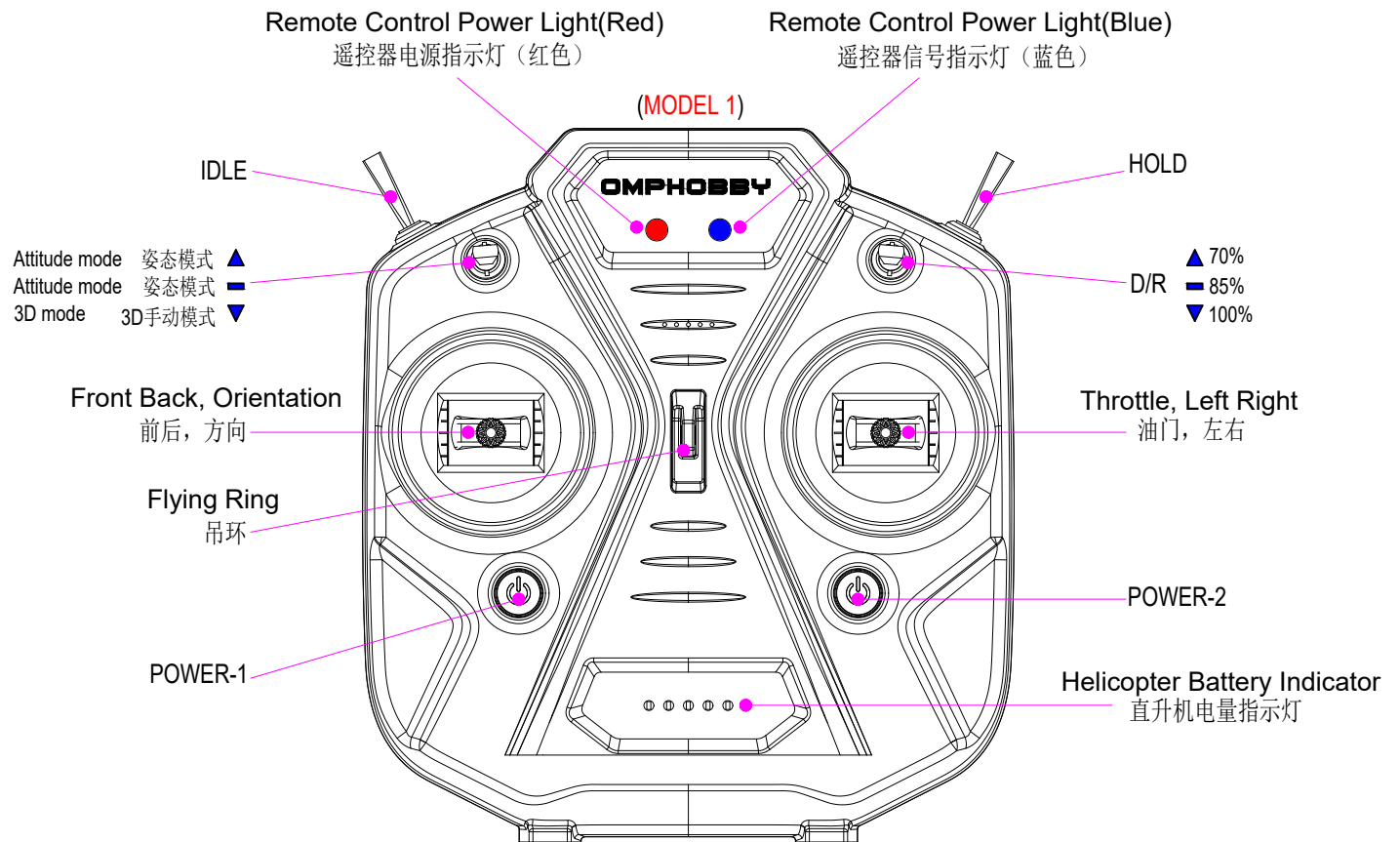
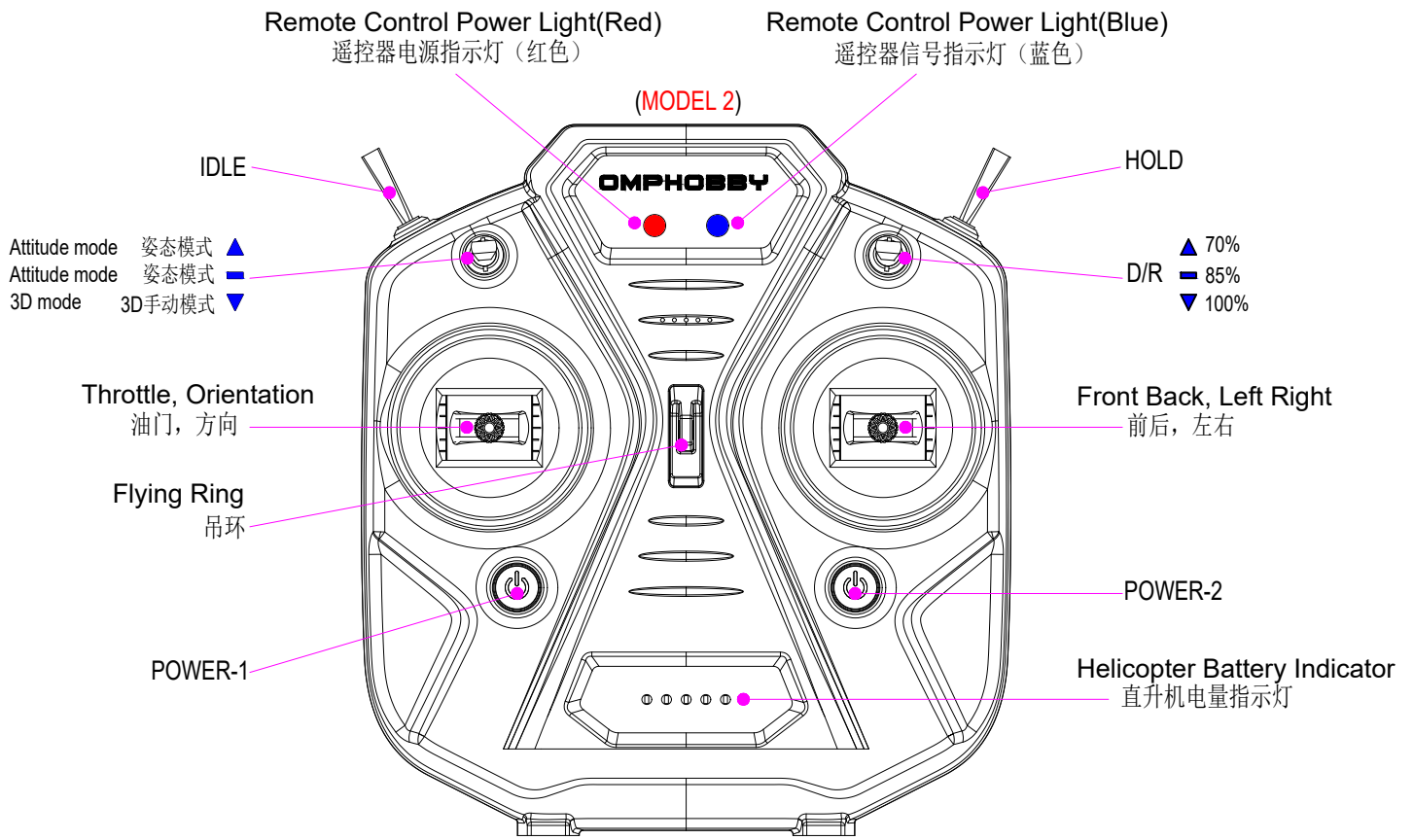
<p>Model: OSHM2044 Package: Hang tag +PE bag 配件编号: OSHM2044 包装方式: 吊卡+PE袋 Product name: Shim Group 配件名称: 垫片组</p>	<p>Model: OSHM2045 Package: Hang tag +PE bag 配件编号: OSHM2045 包装方式: 吊卡+PE袋 Product name: Gross Shaft Suspension Set 配件名称: 横轴避震套组</p>	<p>Model: OSHM2046 Package: Hang tag +PE bag 配件编号: OSHM2046 包装方式: 吊卡+PE袋 Product name: Frame Rear Reinforcement Plate Set 配件名称: 机身后加强板组</p>	<p>Model: OSHM2047 Package: Hang tag +PE bag 配件编号: OSHM2047 包装方式: 吊卡+PE袋 Product name: Flanged Bearing Set(MF52ZZ) 配件名称: 凸缘轴承组(MF52ZZ)</p>

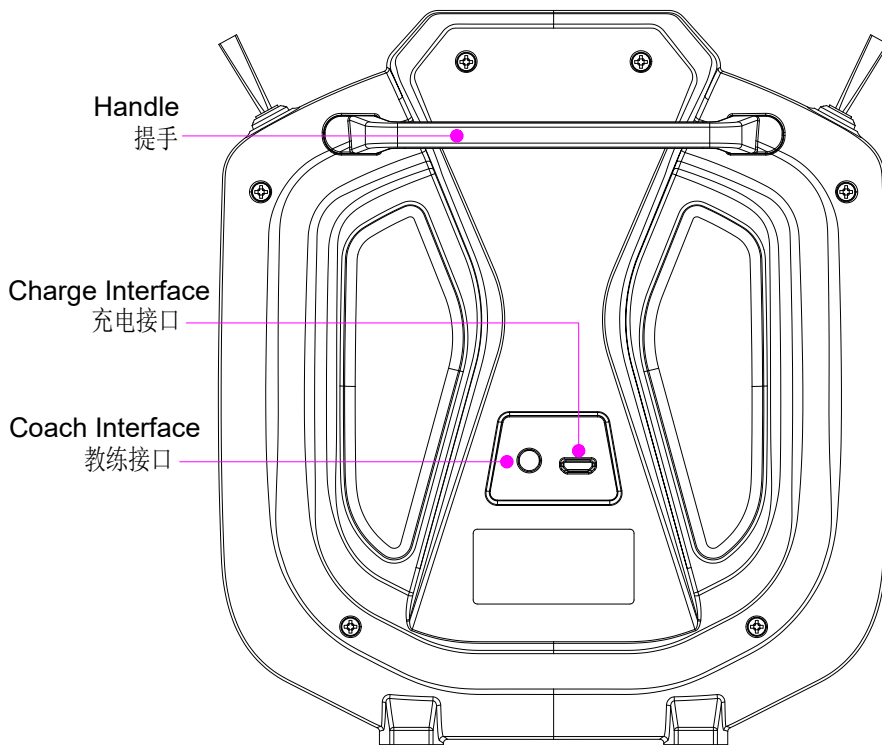
<p>Model: OSHM2048 Package: Hang tag +PE bag 配件编号: OSHM2048 包装方式: 吊卡+PE袋 Product name: Ball Bearing Group (MR63ZZ) 配件名称: 滚珠轴承组 (MR63ZZ)</p>	<p>Model: OSHM2049 Package: Hang tag +PE bag 配件编号: OSHM2049 包装方式: 吊卡+PE袋 Product name: Ball Bearing Group (684ZZ) 配件名称: 滚珠轴承组 (684ZZ)</p>	<p>Model: OSHM2050 Package: Hang tag +PE bag 配件编号: OSHM2050 包装方式: 吊卡+PE袋 Product name: Ball Bearing Group (6701ZZ) 配件名称: 滚珠轴承组 (6701ZZ)</p>	<p>Model: OSHM2051 Package: Hang tag +PE bag 配件编号: OSHM2051 包装方式: 吊卡+PE袋 Product name: Flight Control 配件名称: 飞行控制板</p>
			<p>焊接好端子</p>

<p>Model: OSHM2052 Package: Hang tag +PE bag 配件编号: OSHM2052 包装方式: 吊卡+PE袋 Product name: Flight Control Damping Shing Set 配件名称: 飞行控制减震贴组</p>	<p>Model: OSHM2053 Package: Hang tag +PE bag 配件编号: OSHM2053 包装方式: 吊卡+PE袋 Product name: Battery Magic Tape Set 配件名称: 电池魔术贴组</p>	<p>Model: OSHM2054 Package: Hang tag +PE bag 配件编号: OSHM2054 包装方式: 吊卡+PE袋 Product name: Pull Rod Head Set 配件名称: 拉杆头组</p>	<p>Model: OSHM2055 Package: Hang tag +PE bag 配件编号: OSHM2055 包装方式: 吊卡+PE袋 Product name: Futaba Satellite Receiver 配件名称: futaba 卫星接收机</p>

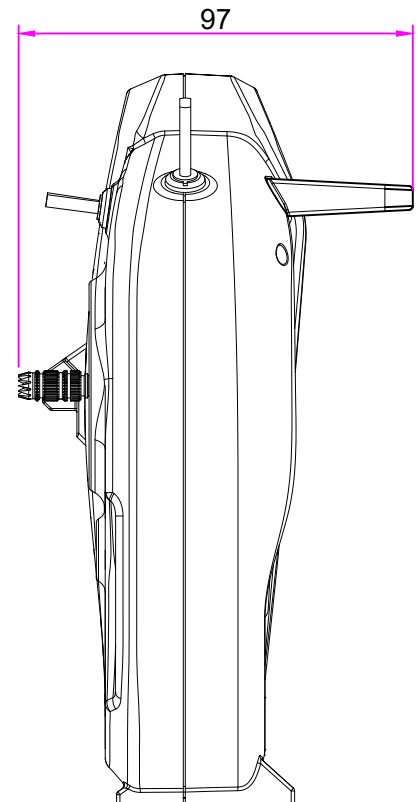
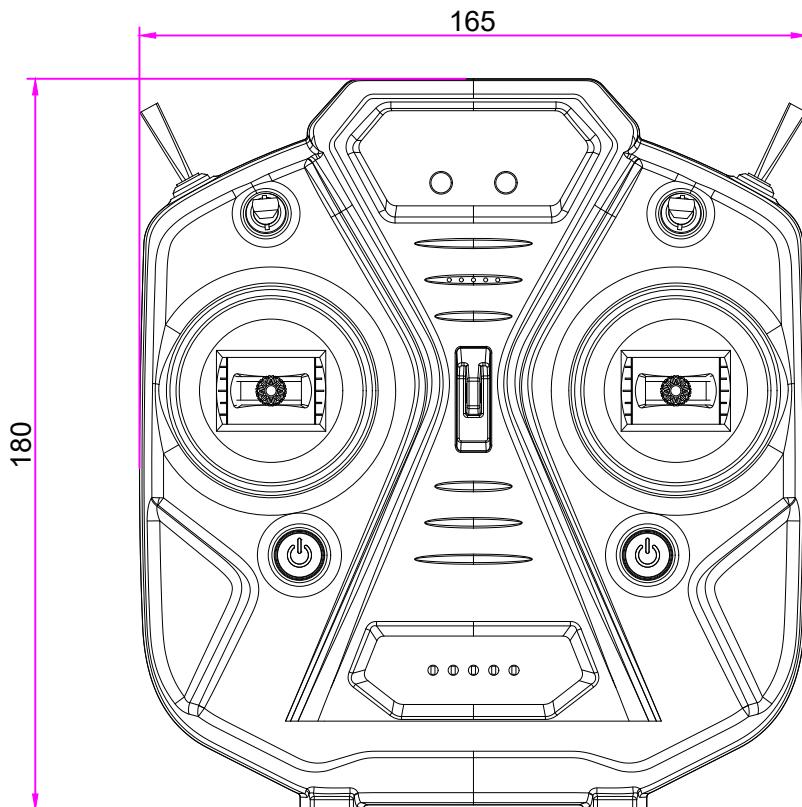
<p>Model: OSHM2056 Package: Hang tag +PE bag 配件编号: OSHM2056 包装方式: 吊卡+PE袋 Product name: OMP HOBBY T6 Remote(MODE 1) 配件名称: OMP T6遥控器(MODE 1)</p>	<p>Model: OSHM2057 Package: Hang tag +PE bag 配件编号: OSHM2057 包装方式: 吊卡+PE袋 Product name: OMP HOBBY T6 Remote(MODE 2) 配件名称: OMP T6遥控器(MODE 2)</p>	<p>Model: OSHM2058 Package: Hang tag +PE bag 配件编号: OSHM2058 包装方式: 吊卡+PE袋 Product name: Canopy Rubber Ring Set 配件名称: 机头罩橡胶圈组</p>	<p>Model: OSHM2059 Package: Hang tag +PE bag 配件编号: OSHM2059 包装方式: 吊卡+PE袋 Product name: Servo Swing Arm 配件名称: 舵机摆臂</p>

<p>Model: OSHM2060 配件编号: OSHM2060 Package: Hang tag +PE bag 包装方式: 吊卡+PE袋 Product name: 175mm Main Blades(Miami Blue) 配件名称: 175主旋翼组-(迈阿密蓝)</p> 	<p>Model: OSHM2061 配件编号: OSHM2061 Package: Hang tag +PE bag 包装方式: 吊卡+PE袋 Product name: 175mm Main Blades(Racing Yellow) 配件名称: 主旋翼组-(竞速黄)</p> 	<p>Model: OSHM2062 配件编号: OSHM2062 Package: Hang tag +PE bag 包装方式: 吊卡+PE袋 Product name: Main Motor Set(Miami Blue) 配件名称: 主电机组-(迈阿密蓝)</p> 	<p>Model: OSHM2063 配件编号: OSHM2063 Package: Hang tag +PE bag 包装方式: 吊卡+PE袋 Product name: Main Motor Set(Racing Yellow) 配件名称: 主电机组-(竞速黄)</p> 
<p>Model: OSHM2064 配件编号: OSHM2064 Package: Hang tag +PE bag 包装方式: 吊卡+PE袋 Product name: Tail Motor Set(Miami Blue) 配件名称: 尾电机组-(迈阿密蓝)</p> 	<p>Model: OSHM2065 配件编号: OSHM2065 Package: Hang tag +PE bag 包装方式: 吊卡+PE袋 Product name: Tail Motor Set(Racing Yellow) 配件名称: 尾电机组-(竞速黄)</p> 	<p>Model: OSHM2066 配件编号: OSHM2066 Package: Hang tag +PE bag 包装方式: 吊卡+PE袋 Product name: Vertical Rotor Set(Miami Blue) 配件名称: 垂直翼组-(迈阿密蓝)</p> 	<p>Model: OSHM2067 配件编号: OSHM2067 Package: Hang tag +PE bag 包装方式: 吊卡+PE袋 Product name: Vertical Rotor Set(Racing Yellow) 配件名称: 垂直翼组-(竞速黄)</p> 
<p>Model: OSHM2068 配件编号: OSHM2068 Package: Hang tag +PE bag 包装方式: 吊卡+PE袋 Product name: Landing Skids Set(Miami Blue) 配件名称: 脚架组-(迈阿密蓝)</p> 	<p>Model: OSHM2069 配件编号: OSHM2069 Package: Hang tag +PE bag 包装方式: 吊卡+PE袋 Product name: Landing Skids Set(Racing Yellow) 配件名称: 脚架组-(竞速黄)</p> 	<p>Model: OSHM2070 配件编号: OSHM2070 Package: Hang tag +PE bag 包装方式: 吊卡+PE袋 Product name: Ball Joint Set 配件名称: 球头组</p> 	<p>Model: OSHM2071 配件编号: OSHM2071 Package: Hang tag +PE bag 包装方式: 吊卡+PE袋 Product name: Flight Control PCB Board Set 配件名称: 飞控PCB板组</p> 
<p>Model: OSHM2072 配件编号: OSHM2072 Package: Hang tag +PE bag 包装方式: 吊卡+PE袋 Product name: ESC Set 配件名称: 电调组</p> 	<p>Model: OSHM2073 配件编号: OSHM2073 Package: Hang tag +PE bag 包装方式: 吊卡+PE袋 Product name: Flight Control Housing Set 配件名称: 飞控外壳组</p> 	<p>Model: OSHM2074 配件编号: OSHM2074 Package: Hang tag +PE bag 包装方式: 吊卡+PE袋 Product name: SPEKTRUM Satellite Receiver 配件名称: SPEKTRUM 卫星接收机</p> 	<p>Model: OSHM2075 配件编号: OSHM2075 Package: Hang tag +PE bag 包装方式: 吊卡+PE袋 Product name: Servo Gear Set 配件名称: 舵机齿轮组</p> 





- (Product Model)产品型号: T6
- (Diameters)外形尺寸长: L165*W98*H180
- (Radio Frequency)无线频率: 2.413GHz--2.453 GHz
- (Transmit Power)发射功率: < 20 dBm
- (Weight)重量约: 345g
- (Modulation Mode)调制方式: GFSK
- (Spread Spectrum Mode)扩频方式: FHSS
- (Working Voltage)工作电压: 3.7V
- (Remote Distance)遥控距离: 800m
- (Charge Interface)充电接口: Micro
- (Low Voltage Alarm)低电压报警: 3.4V
- (Battery Type)电池类型: Lithium Polyer Battery
- (Battery Capacity)电池容规格: 2500mAh 3.7V
- (Coach Interface)教练接口: Yes



OMPHOBBY

Zhuhai edge smart dirve technology Co., Ltd
www.omphobby.com

© 2019