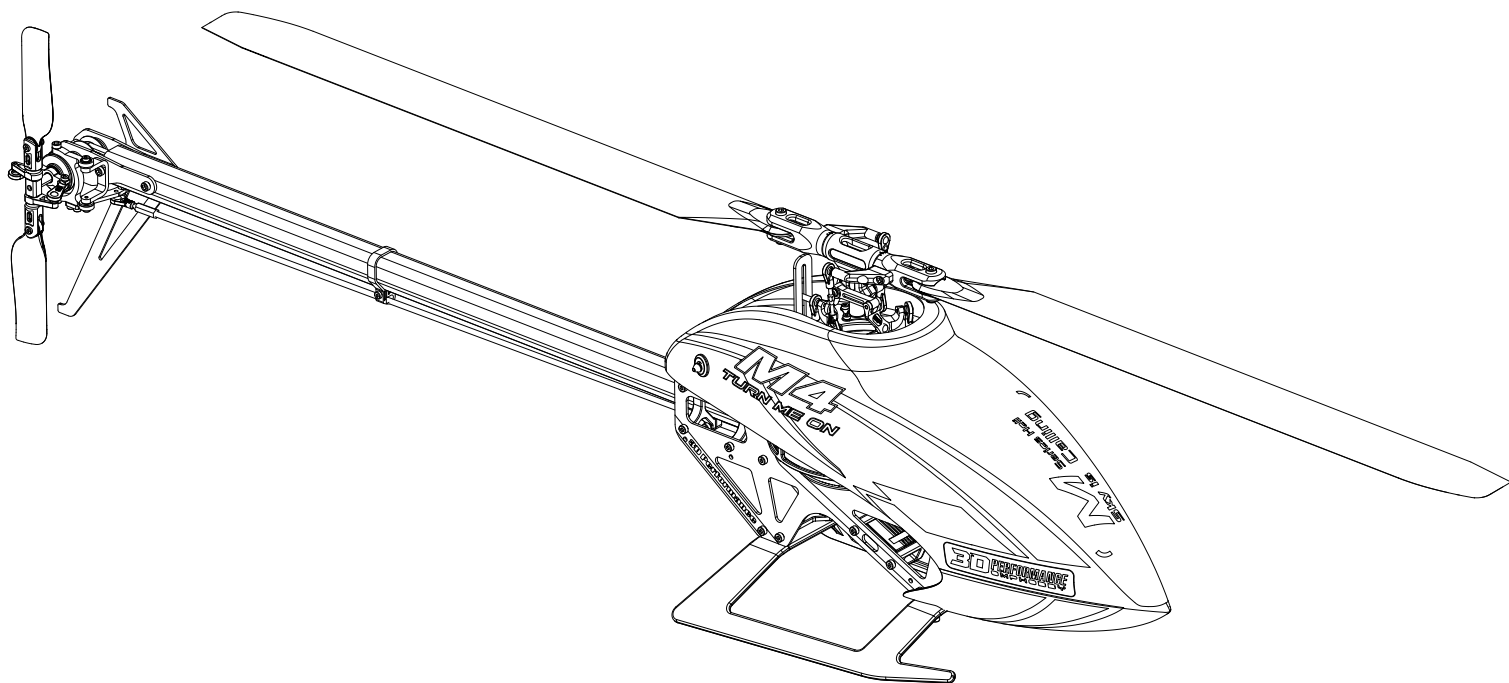


# M4

## INSTRUCTION MANUAL

### REVISION 1



# OMPHOBBY

Thank you for choosing OMPHOBBY products. The M4 is the latest technology in rotary wing RC models, designed in Germany by Jonas Wackershauser. Please read this assembly manual carefully before assembling and flying your new M4 helicopter. We recommend that you keep this manual for future reference.




Thank you for choosing OMPHOBBY products. The M4 Helicopter is designed as an easy to use, fully featured Helicopter R/C model capable of all styles of rotary flight. Please read this manual carefully before operating the model and follow all precautions, limitations and recommendations in the manual. Be sure to retain the manual for future reference, routine maintenance, and tuning.

The M4 is a new product developed by OMPHOBBY. It features the best design available on the Mini-Heli market to date, providing high flight stability for beginners, full aerobatic capability with virtually unlimited control power for advanced pilots, as well as unsurpassed reliability for all customers.

感谢您选购边锋智驱公司产品，为了您容易方便使用M4直升机，请您详细的阅读完这本说明书之后再行进行组装以及操作这台直升机，同时请您妥善保存这本说明书，作为日后进行调整以及维修的参考。

M4是边锋智驱有限公司自行研发的新产品，不论您是需求飞行稳定的初学者还是追求性能卓越的飞行爱好者。M4将是您最佳的选择。

## WARNING LABEL LEGEND 标志代表含义

 <b>WARNING</b> 警告	Mishandling of the helicopter and failure to follow these instructions may result in damage, injury or death. 因为疏忽这些操作说明，而使用错误可能造成财产损失或严重伤害。
 <b>CAUTION</b> 注意	Mishandling due to failure to follow these instructions may result in danger. 因为疏忽这些操作说明，而使用错误可能造成危险。
 <b>FORBIDDEN</b> 禁止	Do not attempt under any circumstances 在任何禁止的环境下，请勿尝试操作。

## IMPORTANT NOTES 重要声明

R/C helicopters, including the OMPHOBBY M4, are not toys. R/C helicopters utilize various high-tech components and technologies to provide superior flight performance. Improper use of this product can result in damage to property, serious injury or even death. Please read this manual carefully before using and make sure to be conscious of your own personal safety, the safety of others and your environment when operating OMPHOBBY products. Manufacturer and seller assume no liability for the operation or the use of this product. The OMPHOBBY M4 is intended for use only by adults with experience flying remote control helicopters at a legal flying field. After the sale of this product, OMPHOBBY cannot maintain any control over its operation or usage.

M4遥控直升机并非玩具，它是结合了许多高科技产品所设计出来的休闲用品，所以商品的使用不当或者不熟悉都可能会造成严重伤害甚至死亡，使用之前请务必仔细阅读本说明书，勿轻忽并注意自身安全。

注意！任何遥控直升机的使用，制造商和经销商是无法对使用者于零件使用的损耗异常或组装不当所发生之意外负任何责任，本产品是提供给有操作过模型直升机经验的成人或者有相当技术的人员在旁指导于当地合法遥控飞行场飞行，以确保安全无误下操作使用，产品售出后该公司将不负任何责任和使用控制上的任何性能与安全责任。

RC Helicopters require skill to operate. We recommend that inexperienced pilots obtain the assistance of an experienced pilot before attempting to fly our products for the first time. Local expert assistance is the best way to assure proper assembly, setup, and safe flight of your model.

Any damage or dissatisfaction as a result of crashes, incorrect setup, modifications or lack of necessary user skill are not covered by any warranty and cannot be returned for repair or replacement.

Please contact our distributors for technical support and parts supply if you experience problems.

模型商品属于需高操作技术且为消耗性之商品，如经拆装使用后，会造成不等情况零件损耗，任何使用情况所造成的商品不良或不满意，将无发于保固条件内更换新品或者退货，如遇有使用操作维修问题，本公司全球分公司或者代理商将提供技术指导，特价零件供应服务。

## SAFETY NOTES 安全注意事项



Fly only in safe areas, at a safe distance from other people. Do not operate R/C aircraft within the vicinity of homes or crowds of people. R/C aircraft may suffer accidents, failures, and crashes due to a variety of reasons including, but not limited to: Lack of maintenance, pilot error and radio interference. Pilots are responsible for their actions, as well as damage or injury occurring during the operation of their R/C aircraft models.

遥控模型飞机、直升机属于高危险性商品，飞行时务必远离人群，人为组装不当或机件损坏，电子控制设备不良，以及操控上的不熟悉、都有可能导致飞行失控损伤等不可预期的意外，请飞行者务必注意飞行安全，并需了解自负疏忽所造成的任何意外之责任。



## LOCATE AN APPROPRIATE LOCATION 远离障碍物及人群

To ensure the safety of yourself, others and your model, do not fly near airports, buildings, roads, crowded areas or high voltage cables.

R/C helicopters can fly at high speed and have rotor blades spinning at high RPM, thus posing a certain degree of potential danger during operation. Choose a legal and safe flying field consisting of flat, smooth ground without obstacles, other people, animals etc.

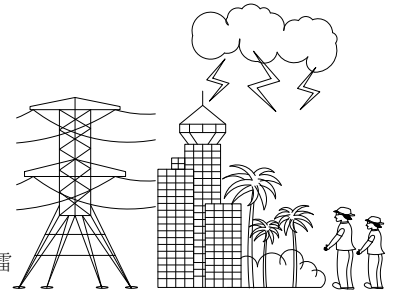
For the first flights, please choose a legal flying field with ample clear space. Flying over long grass reduces damage in the event of a crash.

Consider the use of a training landing gear. Do not fly your model in inclement weather, such as rain, wind, snow or darkness.

直升机飞行时具有一定的速度，相对的也潜在着危险性，场地的选择也相对的重要，请遵守当地的法律法规到合法的遥控飞行场地去飞行。

必须注意周边有没有人、高楼、建筑物、高压电线、树木等等，避免操控的不当造成自己或他人的财产损失。

初次练习时，务必选择在空旷合法专属飞行场地并适当搭配练习架飞行，这对于飞行失误所造成的损伤将会大幅的降低。请勿在下雨天、打雷等恶劣天气下操作，以确保本身及机体的安全。

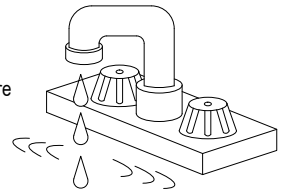


## PREVENT MOISTURE 远离潮湿环境

R/C models are composed of many precision mechanical and electrical components.

It is critical to keep the model and associated equipment away from moisture and other contaminants. The introduction or exposure to water or moisture in any form can cause the model to malfunction, resulting in loss of control or a crash. Do not operate or expose the model to rain or moisture.

直升机内部也是由精密的电子零件组成，所以必须绝对的防止潮湿或水气，避免在浴室或雨天时使用，防止水气进入机身内部而导致机件及电子零件故障而引发不可预期的意外！

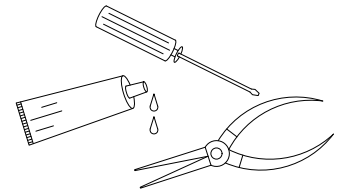


## MALOPERATION 勿不当使用本产品

Please use only genuine replacement parts listed in the manual to ensure correct operation. Use of non-standard or damaged parts voids the product warranty and may cause danger. This product is designed for leisure R/C modelling, do not use the model for other purposes.

请勿自行改造加工，任何的升级改造或维修，请使用三源电子科技产品目录中的零件，以确保结构的安全。

请确认于产品限界内操作，请勿超载使用，并勿用于安全、法令外其他非法用途。



## OBTAIN THE ASSISTANCE OF AN EXPERIENCED PILOT 避免独自操控

Before turning on your model and transmitter, check with other RC model users in the area that it is safe to fly.

For inexperienced pilots, the guidance provided by an experienced pilot can be invaluable for the assembly, setup, tuning, trimming and first flight. (It is recommend to practice with computer-based flight simulator beforehand.)

至飞行场地前，需确认是否有相同频率的同好正在飞行，因为开启相同的频率的发射机将导致自己与他人立即干扰等意外危险。

遥控飞机操控技巧在学习初期有着一定的难度，要尽量避免独自操作飞行，需有经验的人士在旁指导，才可以操控飞行。（勤练电脑模拟器及老手指导是入门必要的选择）



## SAFE OPERATION 安全操作

Operate this helicopter within your ability. Do not fly under the influence of perception-altering substances, as well as when you're sleep deprived. It may result in danger or injury.

请于自己能力内及需要一定技术范围内操作这台直升机，过于疲劳，精神不佳或不当操作，意外发生风险将可能会提高。

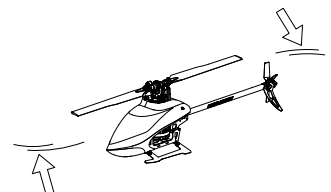


## ALWAYS BE AWARE OF THE ROTATING BLADES 远离运转中的零件

During the operation of the helicopter, the main rotor and tail rotor will be spinning at very high rotation speeds. Rotor blades are capable of inflicting serious to lethal bodily injury and damage to the environment. Be conscious of the hazards posed by the spinning rotor blades and maintain safe distance from the helicopter at all times.

Always fly the model a safe distance from yourself and others, as well as your surroundings. Never take your eyes off the model or leave it unattended while it is turned on. Immediately turn off the model and transmitter and remove battery after you have landed the model.

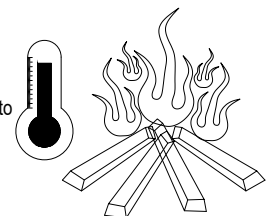
当直升机主旋翼与尾旋翼运转时，切勿触摸并远离任何物件，以避免造成危险及损坏。

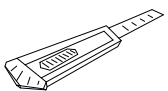

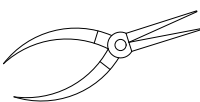
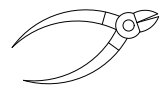
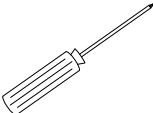
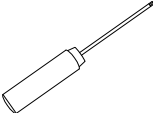
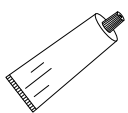





## KEEP AWAY FROM HEAT 远离热源

R/C models are made of various forms of plastics. Plastic is very susceptible to damage or deformation due to extreme heat and cold. Make sure not to store the model near any source of heat, such as direct, strong sunlight or a heater. It is best to store the model indoors, in a climate-controlled, room-temperature environment.

遥控飞机多半是以PA纤维或聚乙烯、电子商品为主要材质，因此要尽量远离热源、日照，以避免因高温而变形甚至熔毁损坏的可能。



 <p>Cutter Knife 刀子</p>	 <p>Scissors 剪刀</p>	 <p>Needle Nose Pliers 尖嘴钳</p>	 <p>Diagonal Cutting Pliers 斜口钳</p>		
 <p>Philips Screw Driver 十字螺丝起子</p>	 <p>Hex Driver (1.5 &amp; 2 &amp; 2.5mm) 六角螺丝起子</p>	 <p>Viscous grease 润滑油</p>	 <p>AB glue AB胶</p>	 <p>CA Glue 瞬间胶</p>	 <p>Threadlocker 螺纹胶</p>

## 胶水使用方法

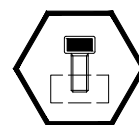
When you see the marks as below, please use glue or grease to ensure flying safety.  
 标有以下符号之组装步骤，请配合上胶或上油，以确保使用之可靠度。



Apply Threadlocker  
使用螺丝胶



Apply Petroleum-Based,  
Light Viscosity Lube  
添加润滑油



Loosely Tighten  
普通拧紧



Apply NO Threadlock  
无需使用螺丝胶



Apply Synthetic  
Grease  
添加润滑油脂



Fully Tighten  
完全拧紧



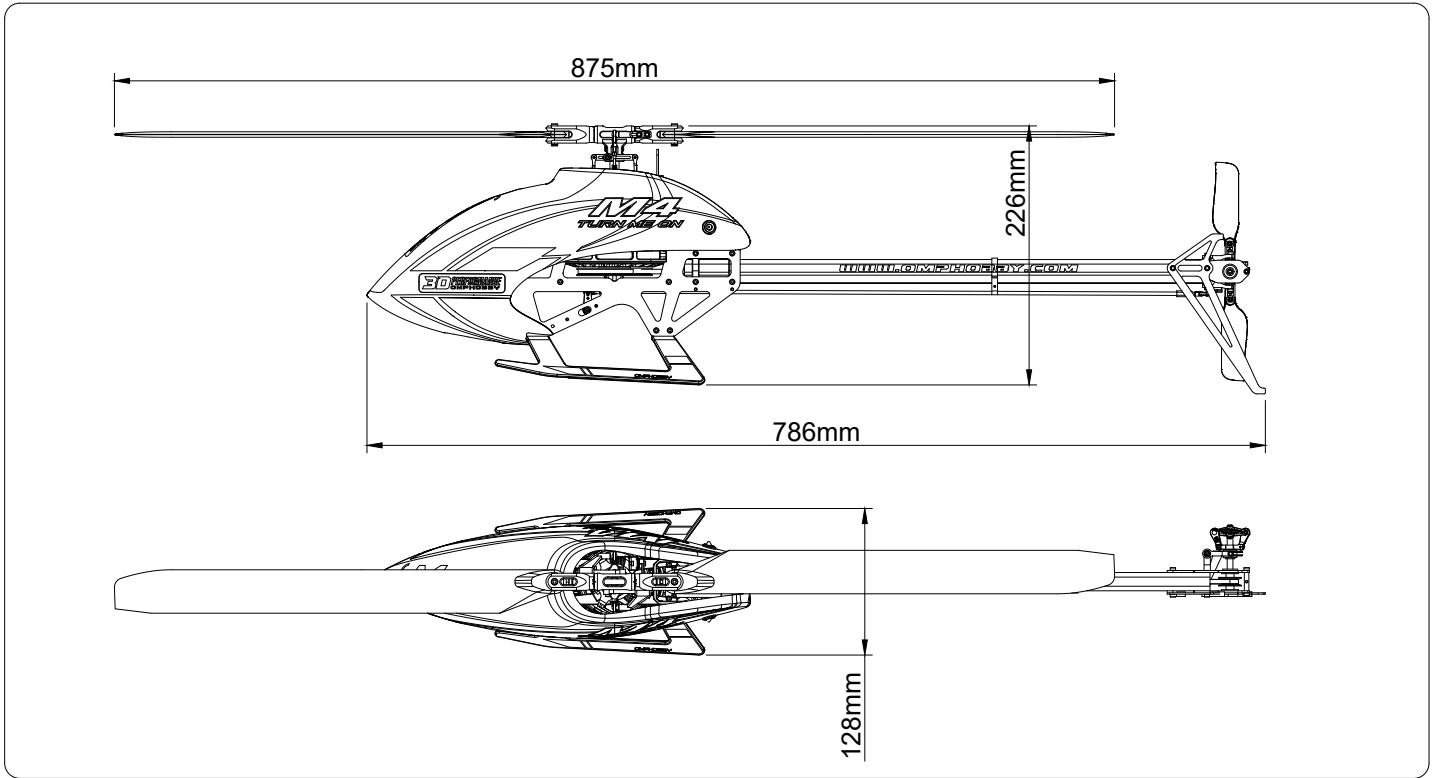
Apply MEDIUM CA  
使用瞬间胶固定



Repeat Multiple Times  
重复多次



Use AB glue  
使用AB胶



## Specifications 参数配备

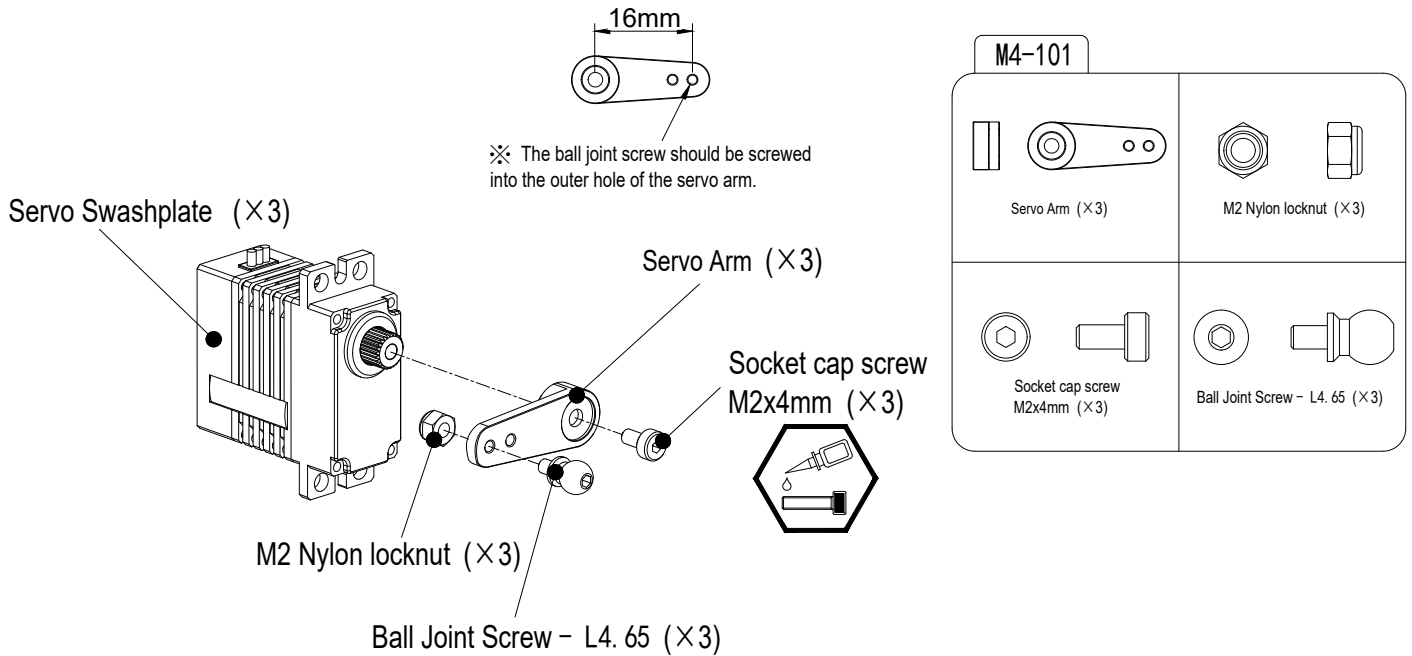
- Length: 786mm
- Height: 226mm
- Main Blade: 385mm
- Main Rotor Diameter: 875mm
- Tail Rotor Diameter: 190mm
- Flying Weight: 1370g
- 机身长: 786mm
- 机身高: 226mm
- 主旋翼长度: 385mm
- 主旋翼直径: 875mm
- 尾旋翼直径: 190mm
- 起飞重量约: 1370g

## Features 设计特点

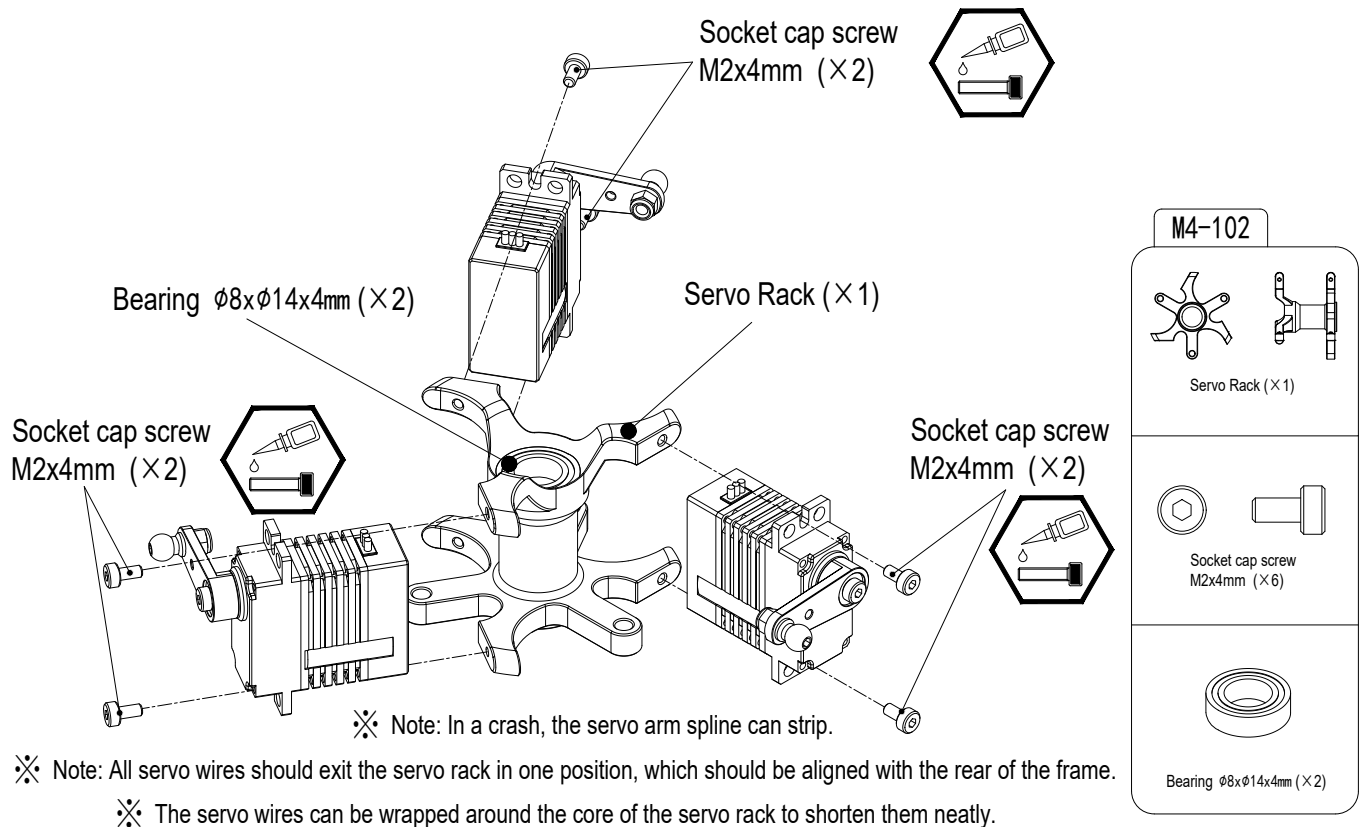
- Large pitch range main rotor design for extreme control power in any situation
- Highly compact flight mechanics design
- Lightweight carbon fiber and aluminium airframe design
- Streamlined low wind resistance canopy design
- Frame mounted XT60 connector for easy battery connection
- Open frame design for easy wiring and serviceability
- 大螺距主旋翼设计, 实现极限控制
- 高度紧凑的飞行力学设计
- 碳纤维和铝机身轻量化设计
- 流线型低风阻机头罩设计
- XT60连接器框架安装, 便于电池连接
- 开放式框架设计, 便于接线和维护

Partially pre-assembled parts are loosely screwed together without thread locker/glue  
 Recommendation: Loctite 243 for screws, Loctite 648 for bearing seats.

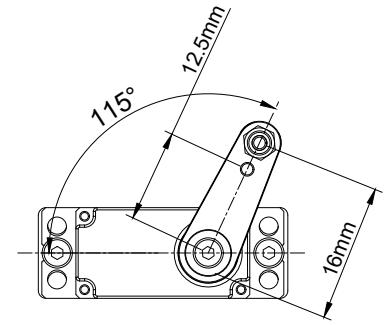
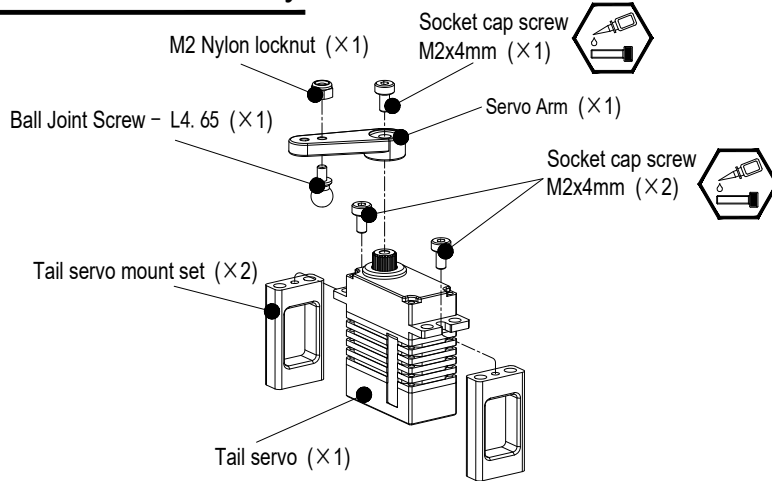
## 1-1 Cyclic Servo Assembly



## 1-2 Servo Rack Assembly

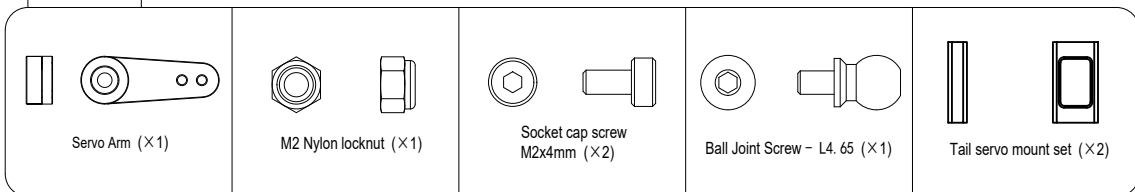


## 1-3 Tail servo assembly

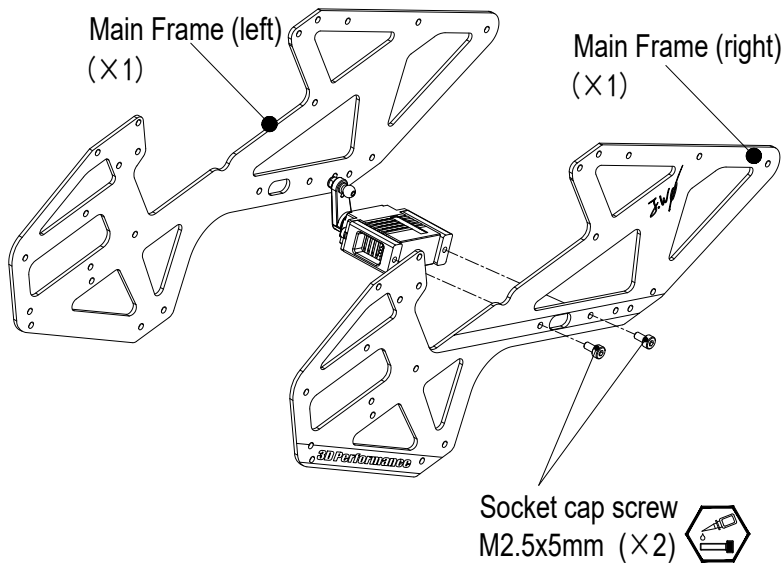


※ The maximum height of the tail servo, including servo arm, must be less than 40.0mm. When the tail servo arm is in the middle position, the angle relative to the tail servo should be 115°, as shown above.

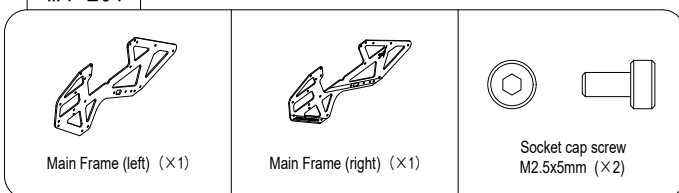
M4-103



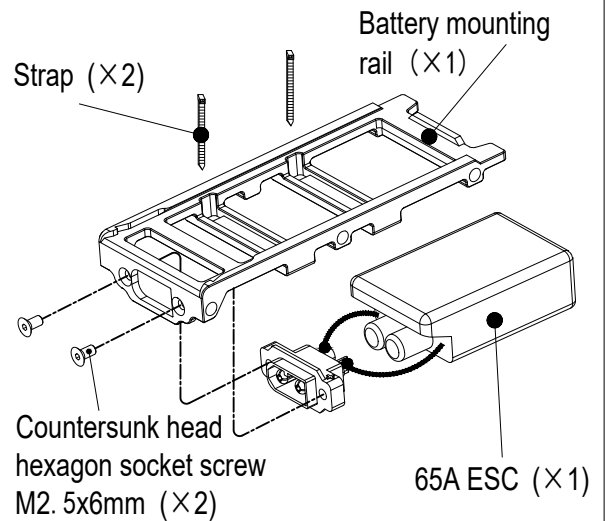
## 2-1 Main frame tail servo assembly



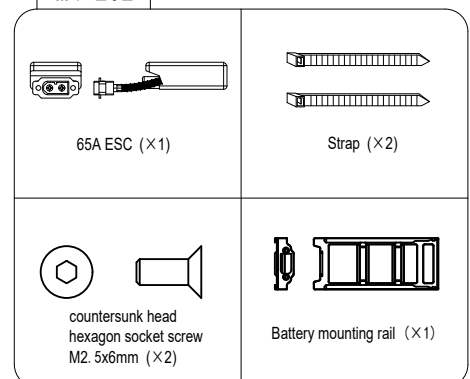
M4-201



## 2-2 Main frame set assembly



M4-202



## 2-2 Main frame set assembly

**Step socket cap screw**  
M2.5x6mm (X2)

**Step socket cap screw**  
M2.5x6mm (X2)

**Canopy frame support rubber**  
(X2)

**Shim**  
φ2.5xφ5x0.5mm (X2)

**M4-202**

**Shim** φ2.5xφ5x0.5mm (X2)

**Canopy frame support rubber** (X2)

**Square Frame Brace** (X1)

**X-Brace** (X1)

**Tail Boom Mount set**  
(X2)

**Socket cap screw**  
M2.5x5mm (X18)

**Socket cap screw**  
M2.5x8mm (X2)

**M4-202**

**Tail Boom Mount set** (X2)

**Square Frame Brace** (X1)

**X-Brace** (X1)

**Socket cap screw**  
M2.5x5mm (X18)

**Socket cap screw**  
M2.5x8mm (X2)

※ Do not tighten the M2.5x8mm clamping screws on the tail boom mounts.  
※ Note: The clamping screws should be inserted from right side to prevent interference with the tail rotor linkage.

## Square Frame Brace Assembly

**Socket cap screw**  
M3x14mm (X2)  
(Already installed with retaining compound)

**Shim** φ3.05xφ4.5x0.5mm (X2)

**Bearing** φ3xφ6x2.5mm (X4)  
(Already installed with retaining compound)

**Idler Pulley** (X2)

**Bushing** φ3xφ4x2 (X2)

**Idler Cone** (X2)

**Square Brace** (X1)

## 2-3 Motor assembly

**M4-203**

**Main Rotor Shaft** (X1)

**SUNNYSKY R80-5 Motor** (X1)

**Main Pulley** (X1)

7.5mm

3mm

※ Note that the main pulley flange carbon plates are recessed one side to suit countersunk screws.

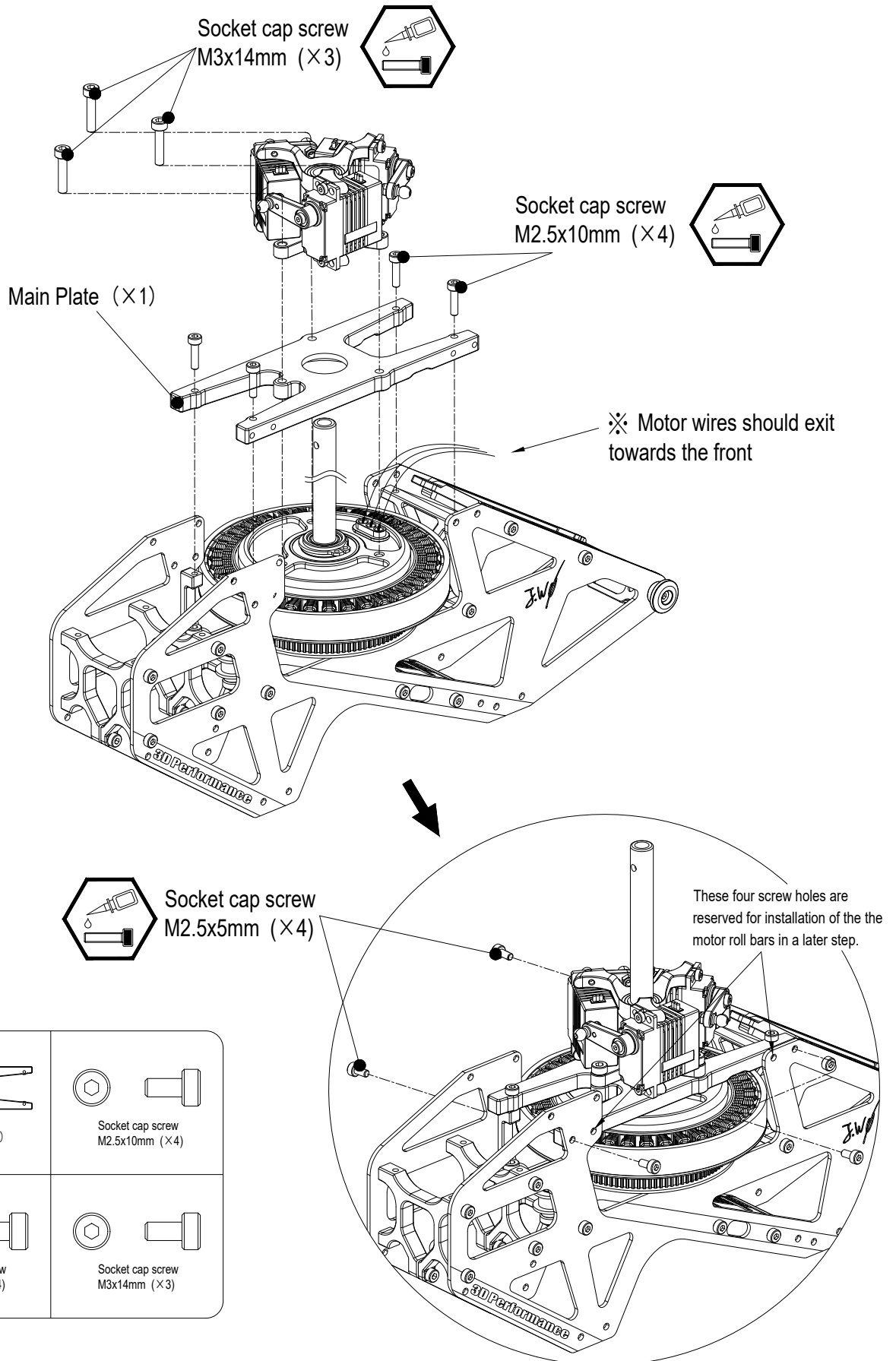
**Main Rotor Shaft** (X1)

**SUNNYSKY R80-5 Motor** (X1)

**Main Pulley** (X1)  
countersunk head hexagon socket screw M2x3mm (X12)  
Main Pulley Flanges (X2)  
Socket cap screw M2.5x15mm (X1)  
Nyloc Nut M2.5 (X1)



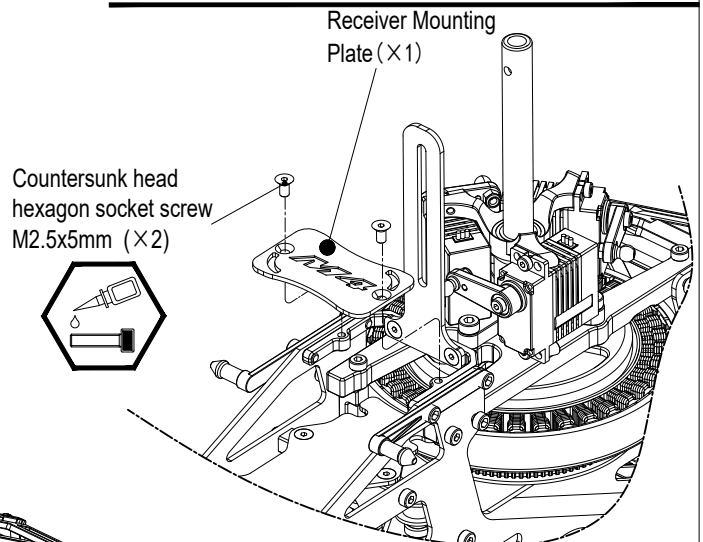
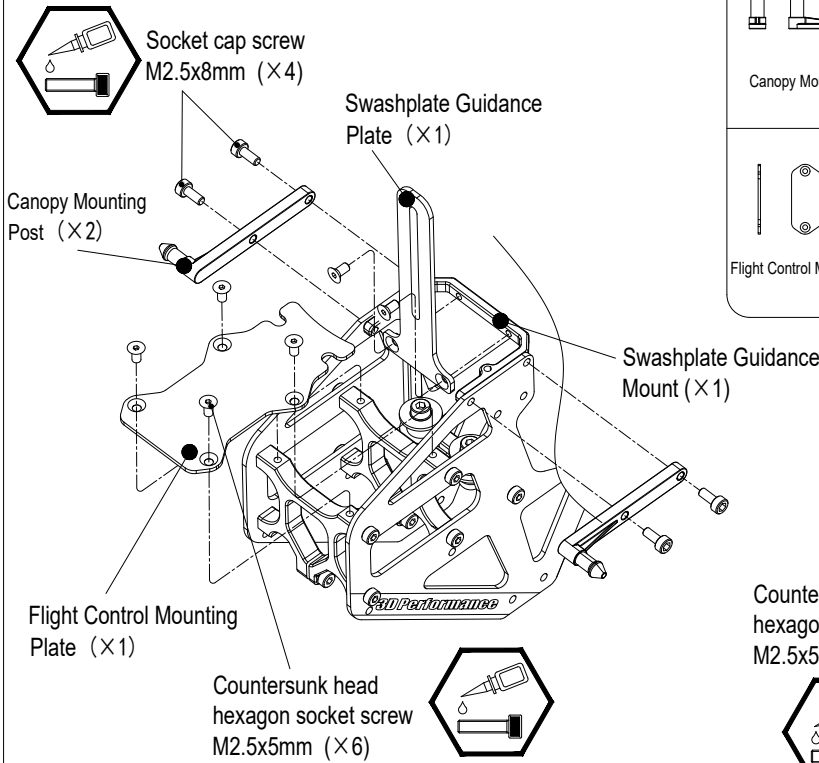
## 2-4 Motor and servo assembly



## 2-5 Landing gear and flight controller mount assembly

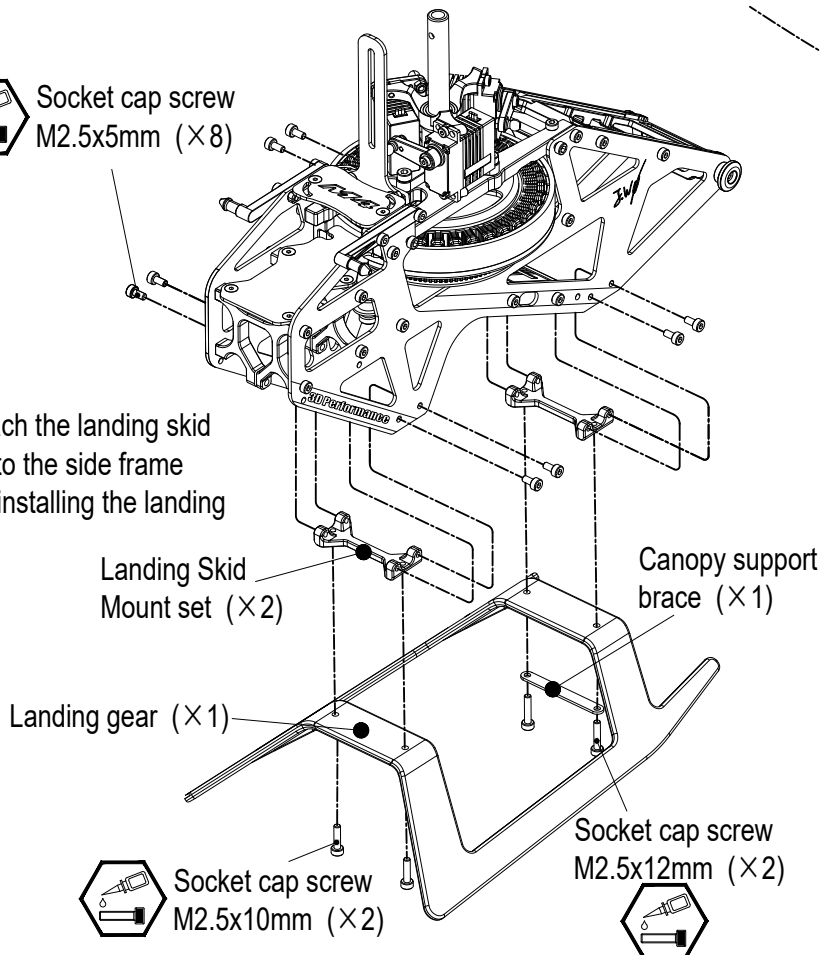
M4-205

Canopy Mounting Post (×2)	Swashplate Guidance Plate (×1)	Swashplate Guidance Mount (×1)
Flight Control Mounting Plate (×1)	Socket cap screw M2.5x8mm (×4)	countersunk head hexagon socket screw M2.5x5mm (×8)



Socket cap screw M2.5x5mm (×8)

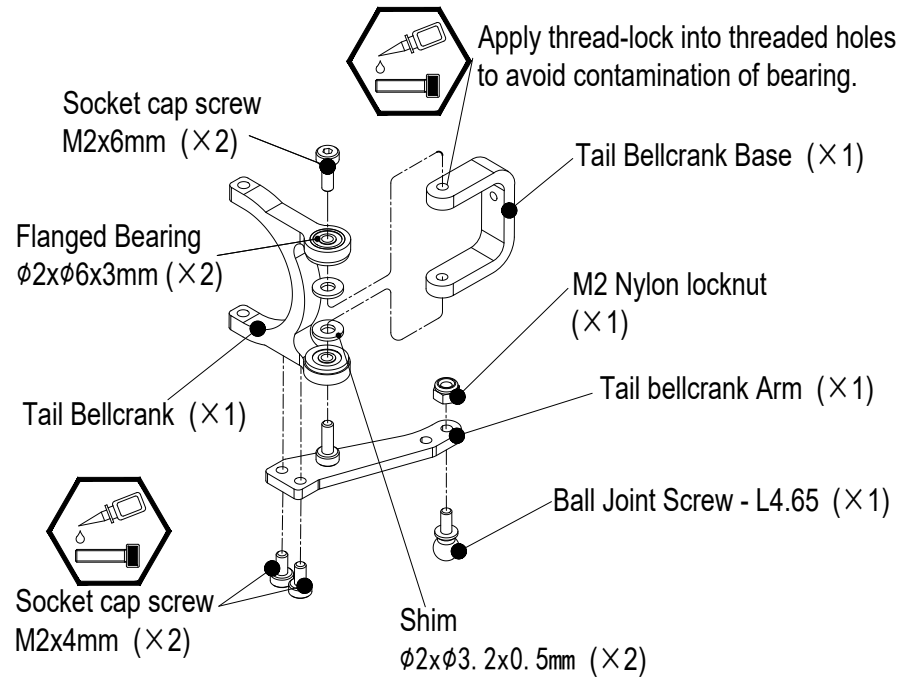
※ Attach the landing skid mount to the side frame before installing the landing gear.



M4-205

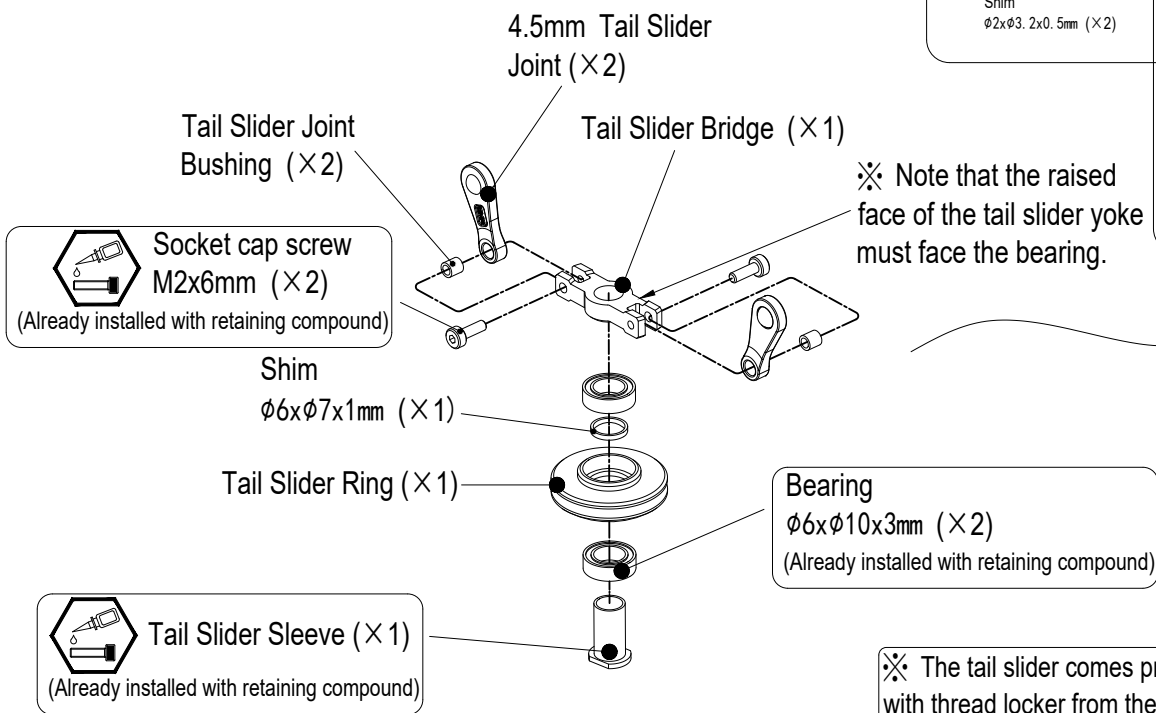
Receiver Mounting Plate (×1)	Socket cap screw M2.5x5mm (×8)	Landing gear (×1)
Socket cap screw M2.5x10mm (×2)	Landing Skid Mount set (×2)	
Socket cap screw M2.5x12mm (×2)	Canopy support (×1)	

## 3-1 Tail rotor assembly



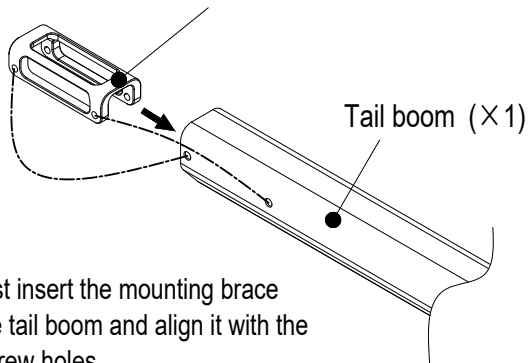
※ Use the outer hole for long throw tail servos like the OMPHOBBY DS2312T. If you are using a short throw tail servo, use the inner hole to achieve adequate tail travel.

M4-301	
Tail boom (×1)	Tail Bellcrank (×1) Flanged Bearing $\phi 2 \times \phi 6 \times 3 \text{mm}$ (×2)
Tail Bellcrank Base (×1)	Tail bellcrank Arm (×1)
Ball Joint Screw - L4.65 (×1)	Socket cap screw M2x4mm (×2)
Socket cap screw M2x6mm (×2)	Tail Housing Mounting Brace (×1)
Shim $\phi 2 \times \phi 3.2 \times 0.5 \text{mm}$ (×2)	M2 Nylon locknut (×1)
Tail Slider Ring Set (×1)	



### 3-1 Tail rotor assembly

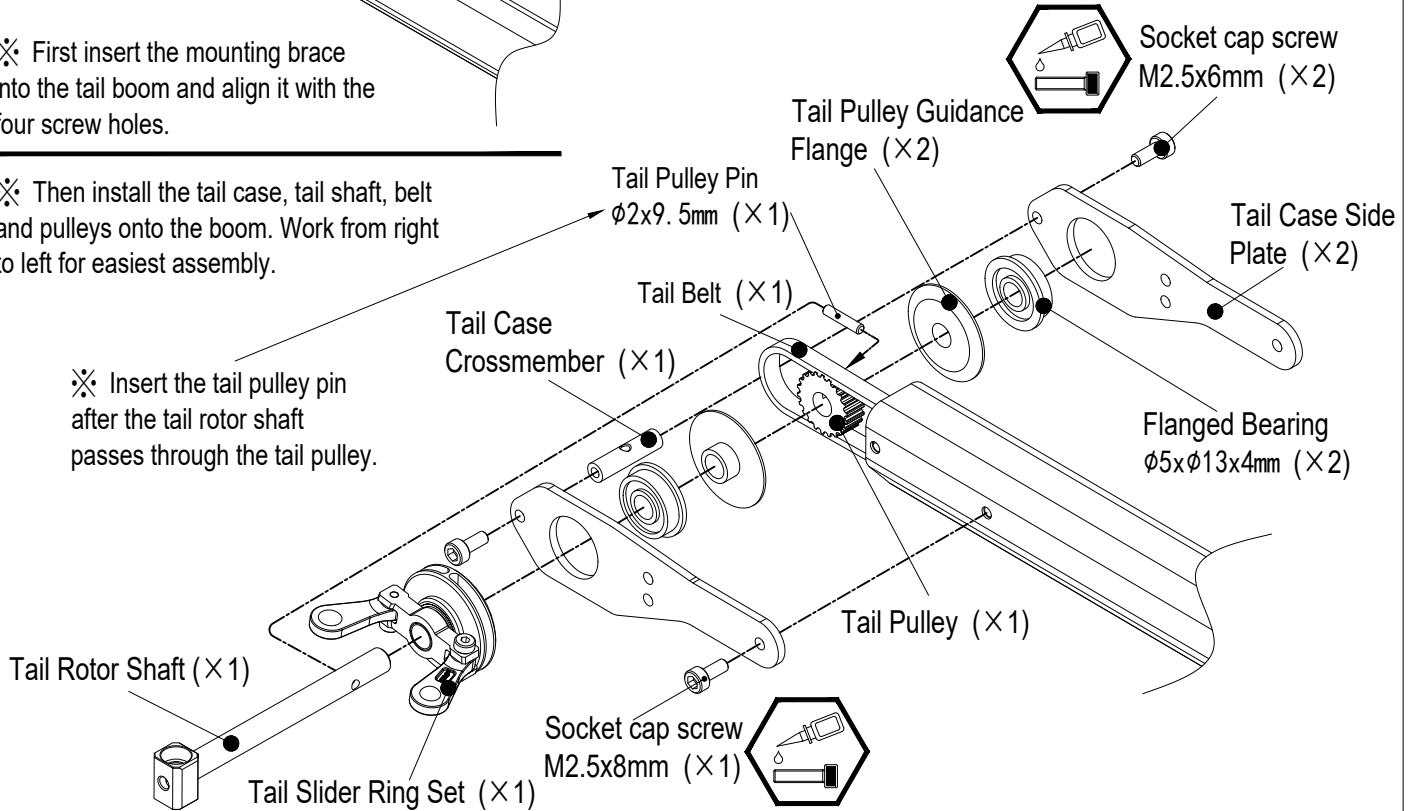
Tail Housing Mounting Brace (×1)



※ First insert the mounting brace into the tail boom and align it with the four screw holes.

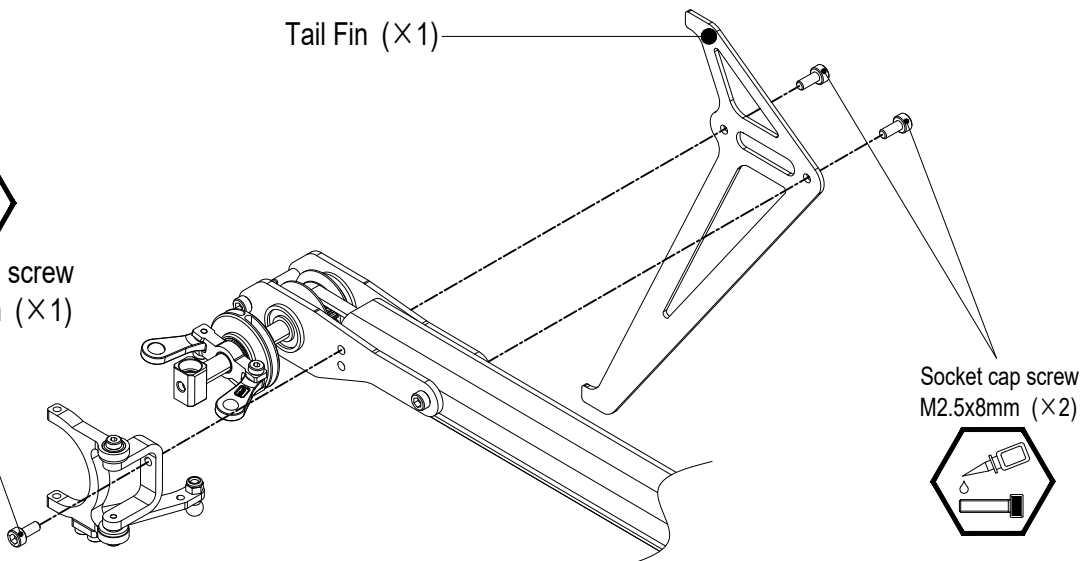
※ Then install the tail case, tail shaft, belt and pulleys onto the boom. Work from right to left for easiest assembly.

※ Insert the tail pulley pin after the tail rotor shaft passes.

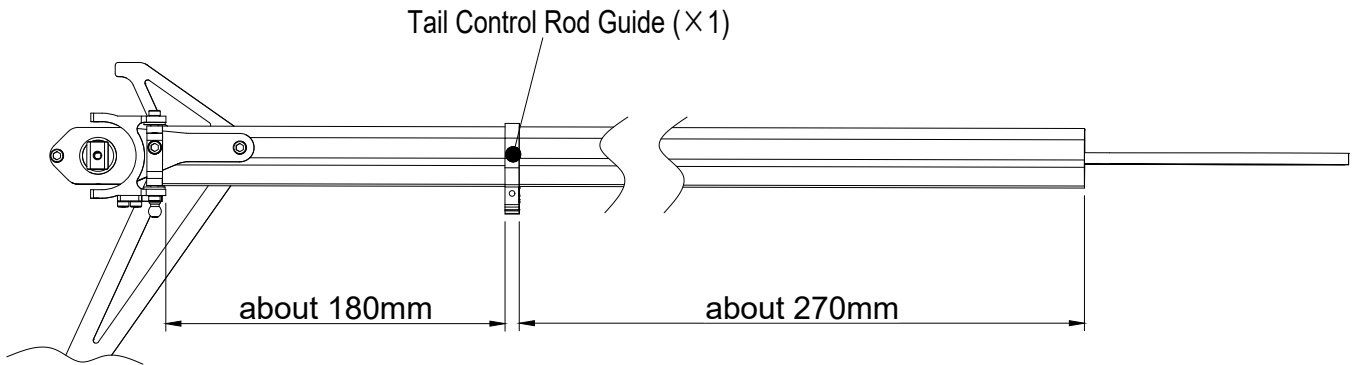


Tail Fin (×1)

Socket cap screw  
M2.5x8mm (×1)



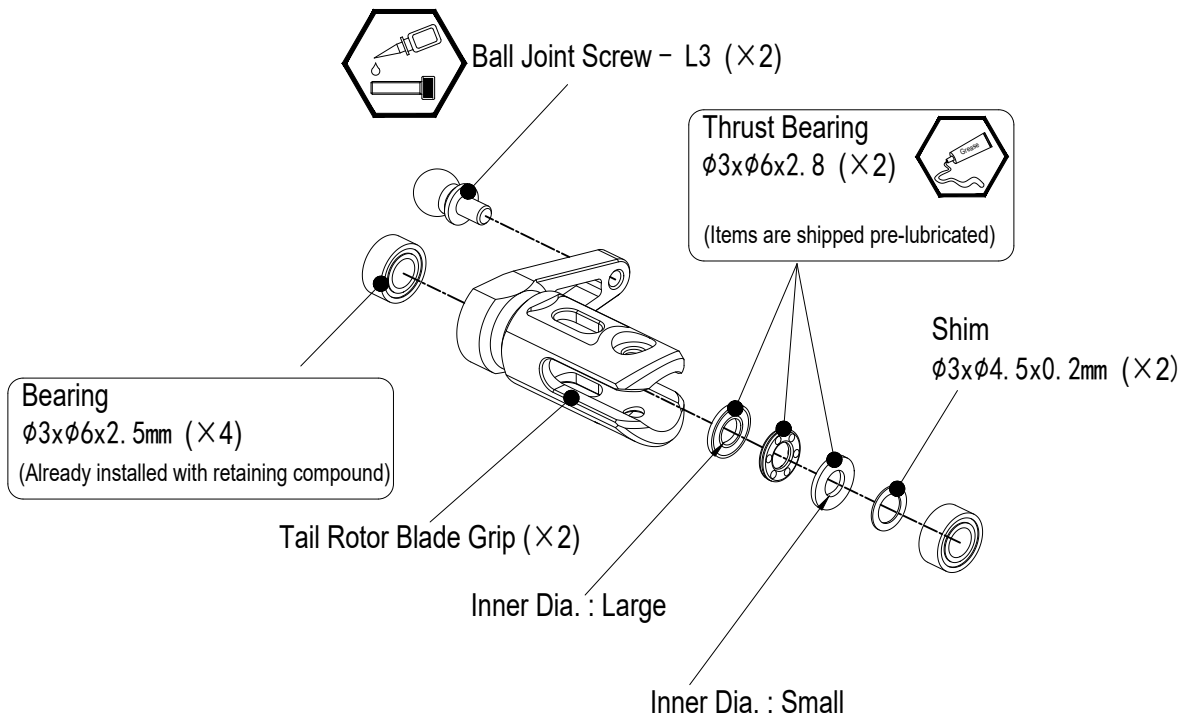
Socket cap screw  
M2.5x8mm (×2)



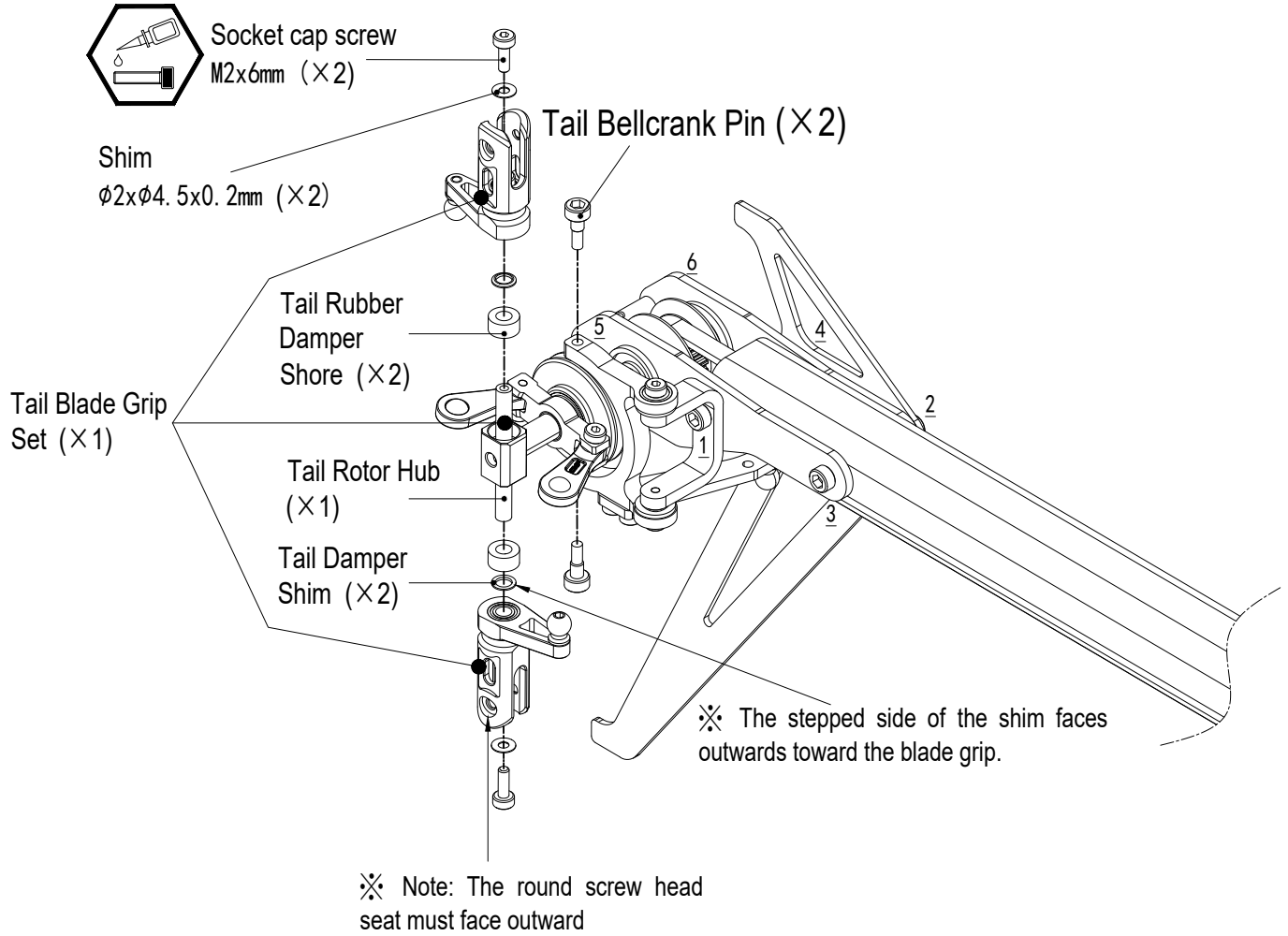
M4-301

Tail Case Side Plate (X2)	Tail Fin (X1)	Tail Pulley (X1)	Tail Pulley Guidance Flange (X2)	Tail Rotor Shaft $\phi 5 \times 58 \text{mm}$ (X1)	Tail Belt (X1)
Tail Pulley Pin $\phi 2 \times 9.5$ (X1)	Tail Case Crossmember (X1)	Flanged Bearing $\phi 5 \times \phi 13 \times 4 \text{mm}$ (X2)	Tail Control Rod Guide (X1)	Socket cap screw $M2.5 \times 6 \text{mm}$ (X2)	Socket cap screw $M2.5 \times 8 \text{mm}$ (X4)

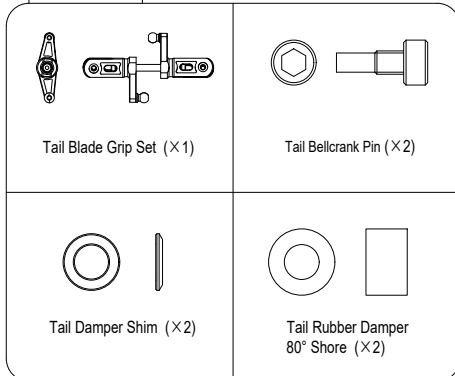
## 3-2 Tail blade Set installation



### 3-2 Tail rotor assembly





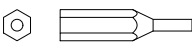

M4-302

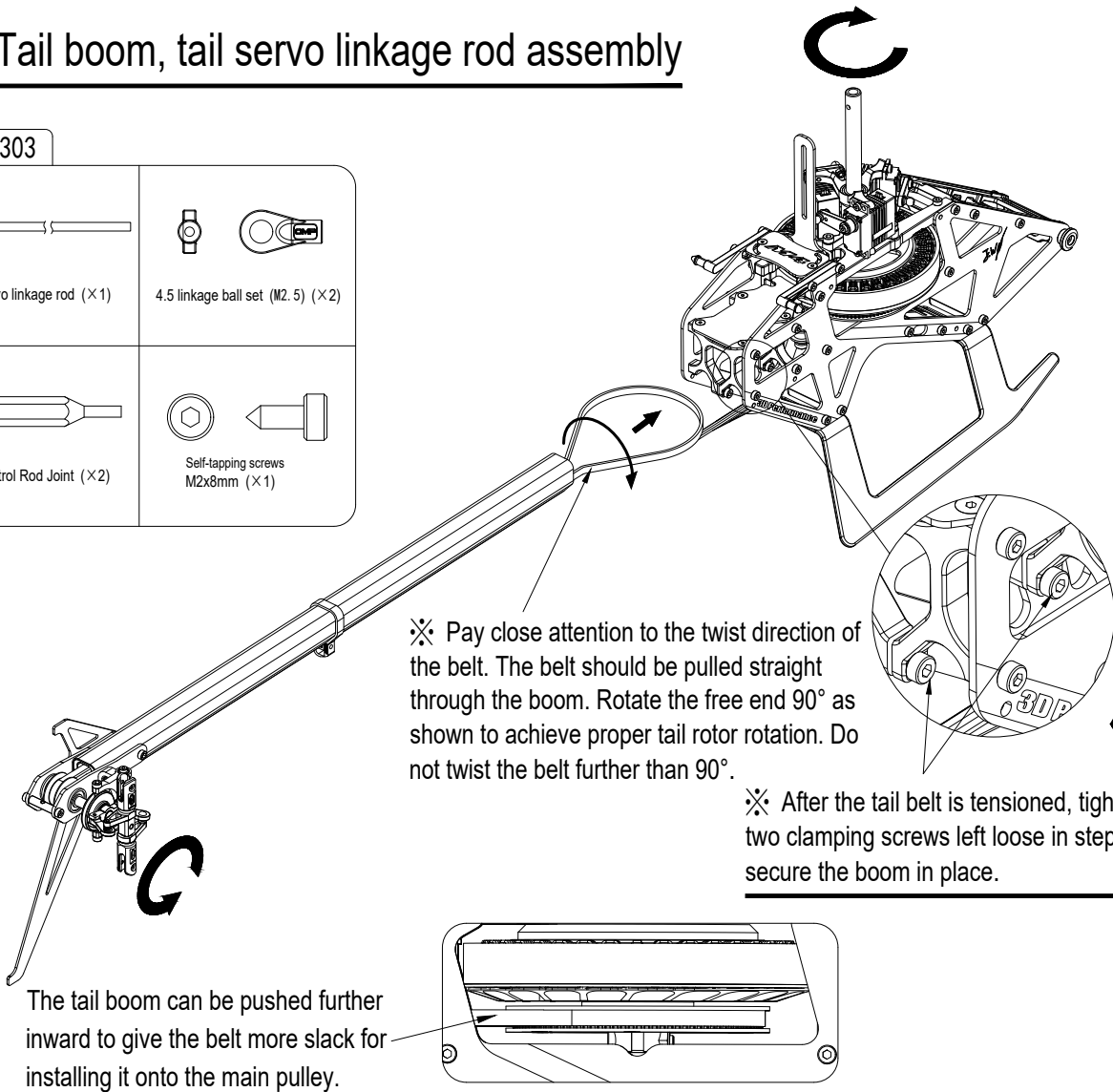


※ Note: Make sure the tail mechanics are easy and smooth to move. If they aren't, loosen the six tail case screws, tweak the tail case alignment until the mechanism runs smoothly, then tighten them crosswise as indicated above.

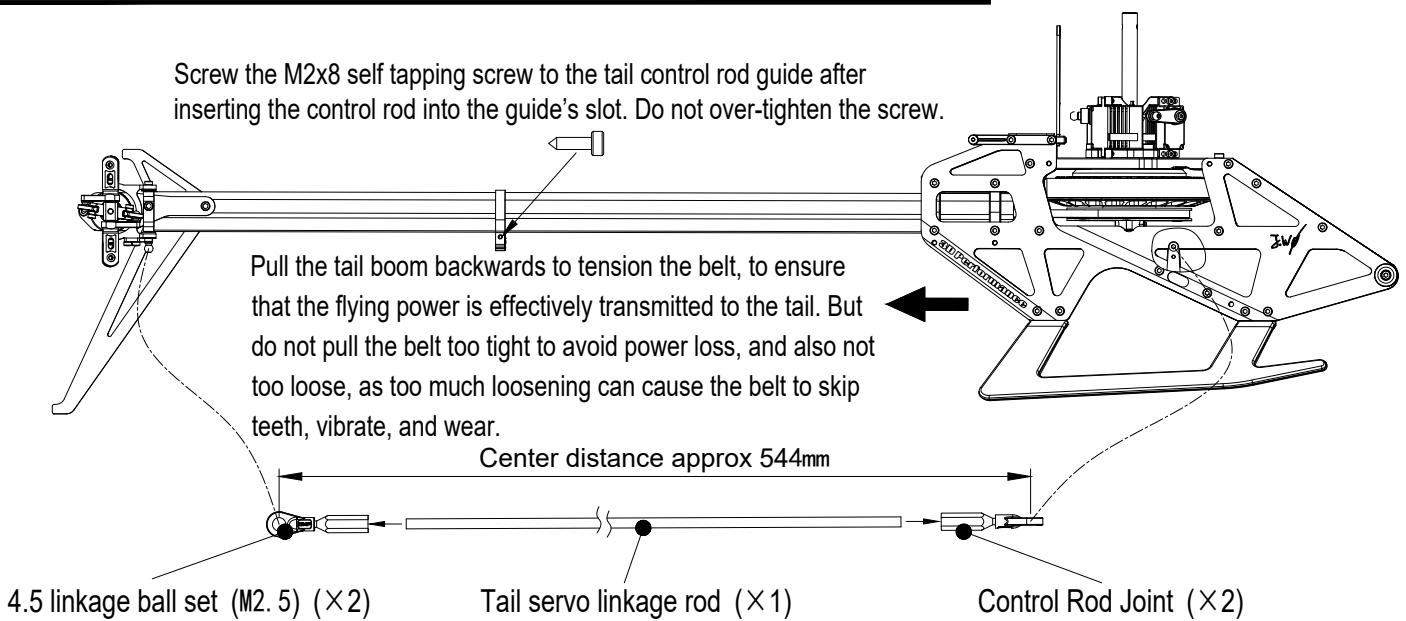
## 3-3 Tail boom, tail servo linkage rod assembly

M4-303

 Tail servo linkage rod (×1)	 4.5 linkage ball set (M2.5) (×2)
 Control Rod Joint (×2)	 Self-tapping screws M2x8mm (×1)

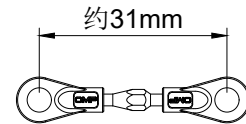


Screw the M2x8 self tapping screw to the tail control rod guide after inserting the control rod into the guide's slot. Do not over-tighten the screw.

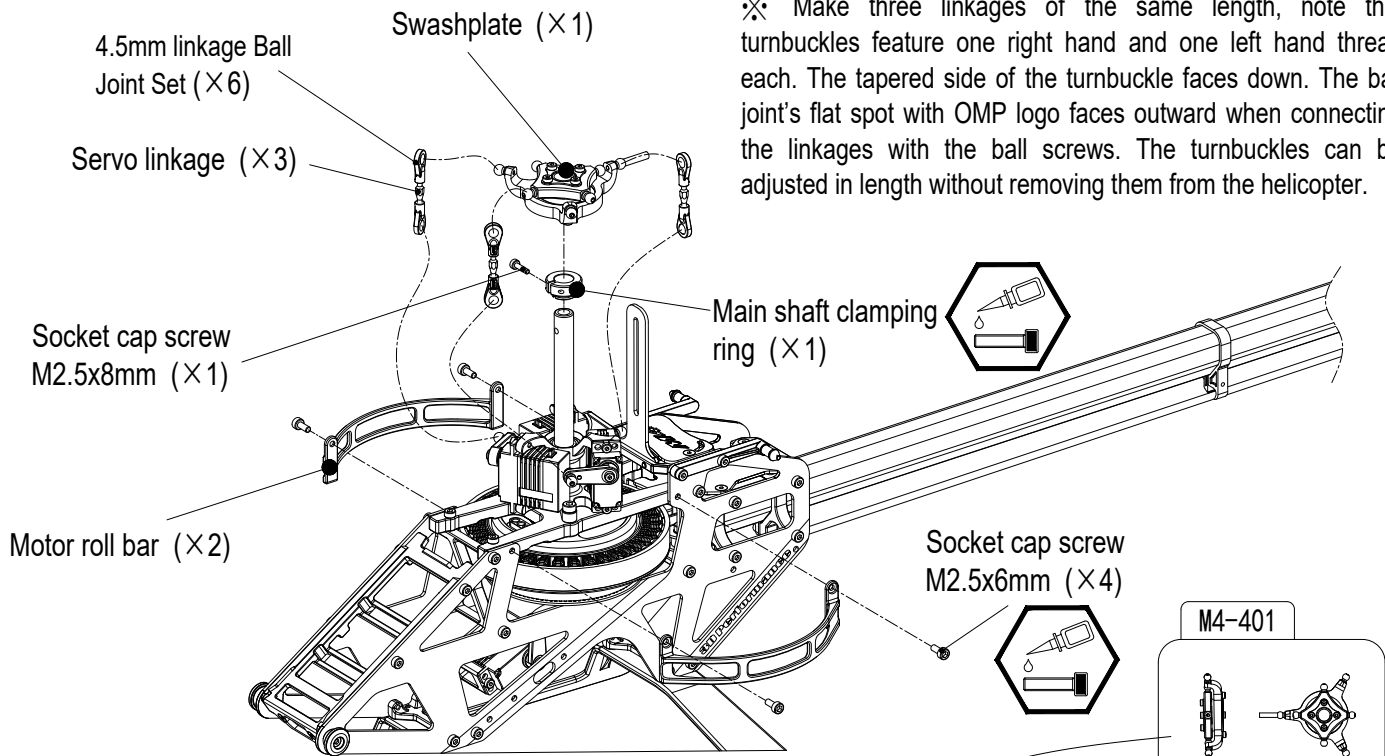


- ※ The control rod ends should be sand and glued onto the carbon rod with AB glue/Epoxy, avoid using Superglue/CA. Pay attention to the correct rod length.
- ※ Use sand paper on the rod ends to roughen them and make insertion into the joint easier.

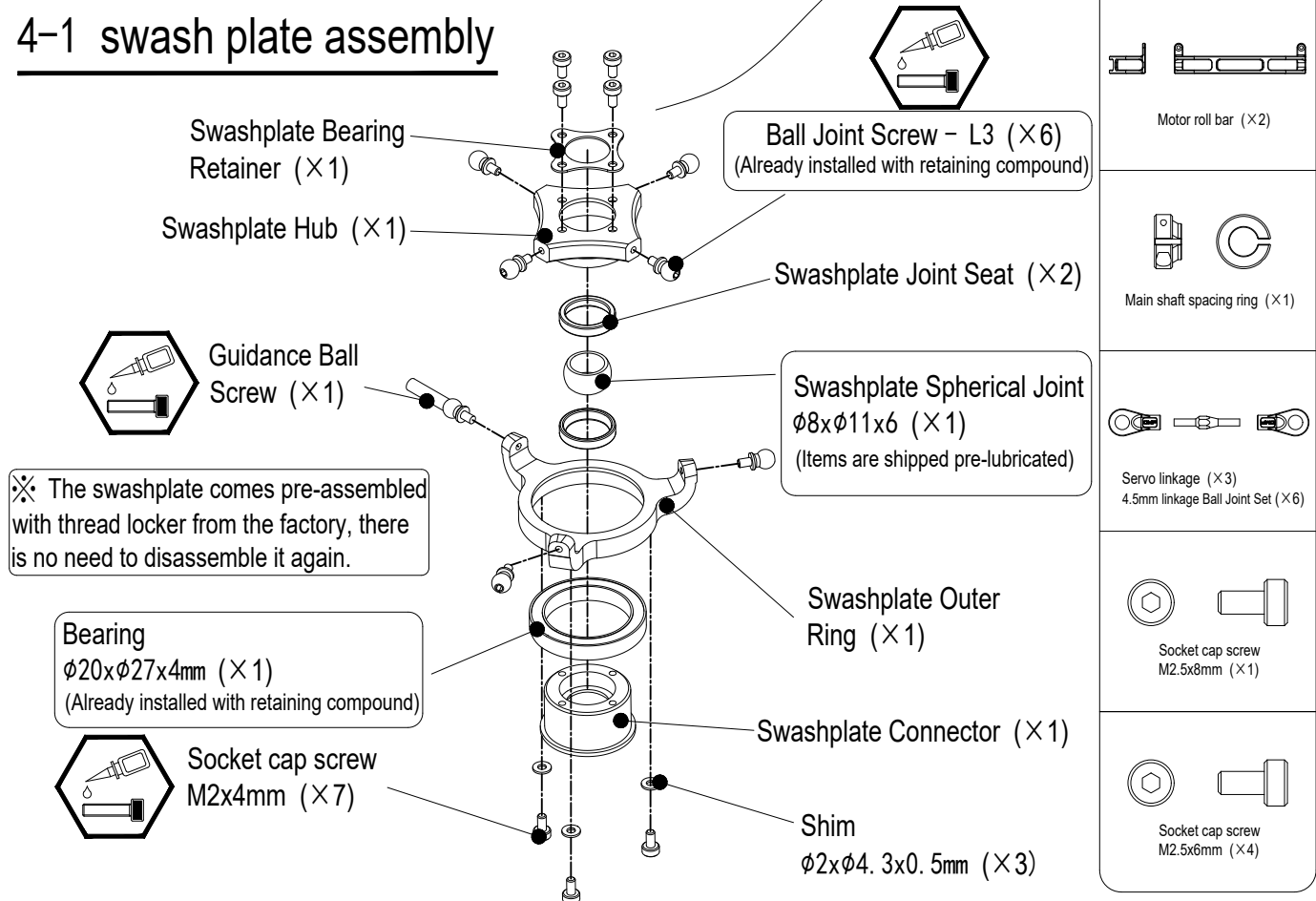
## 4-1 Swashplate assembly



※ Make three linkages of the same length, note that turnbuckles feature one right hand and one left hand thread each. The tapered side of the turnbuckle faces down. The ball joint's flat spot with OMP logo faces outward when connecting the linkages with the ball screws. The turnbuckles can be adjusted in length without removing them from the helicopter.

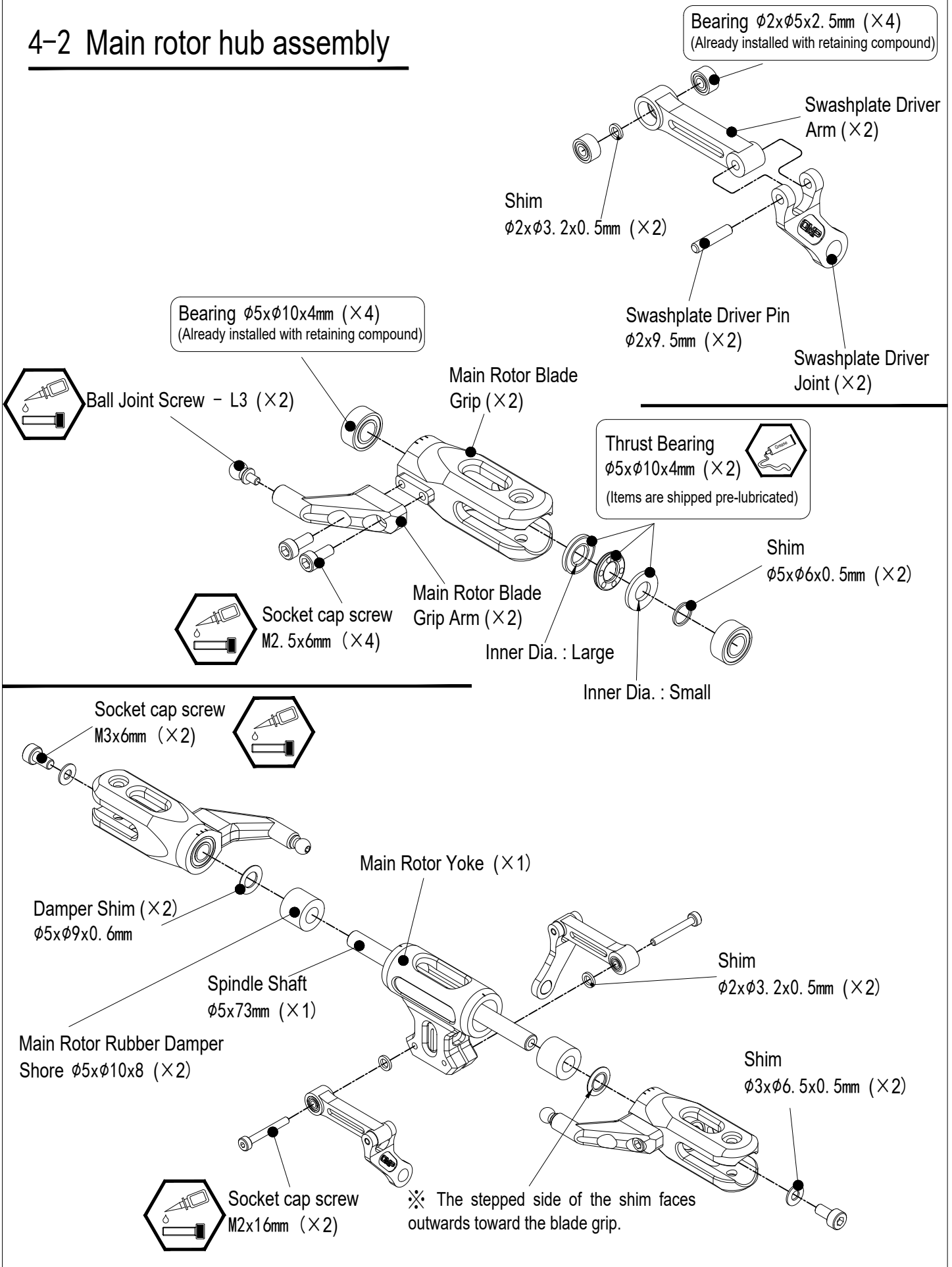


## 4-1 swash plate assembly

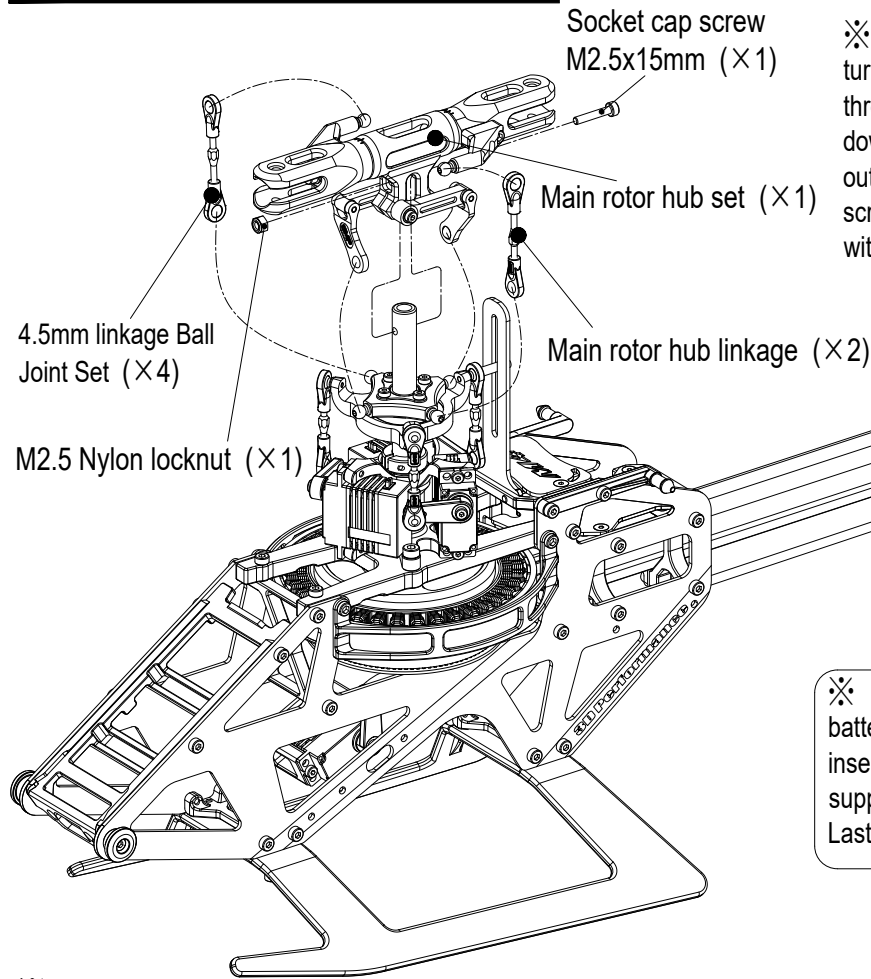




## 4-2 Main rotor hub assembly



## 4-2 Main rotor hub assembly



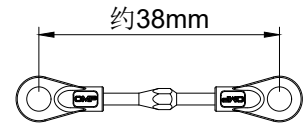
Socket cap screw  
M2.5x15mm (×1)

Main rotor hub set (×1)

4.5mm linkage Ball  
Joint Set (×4)

Main rotor hub linkage (×2)

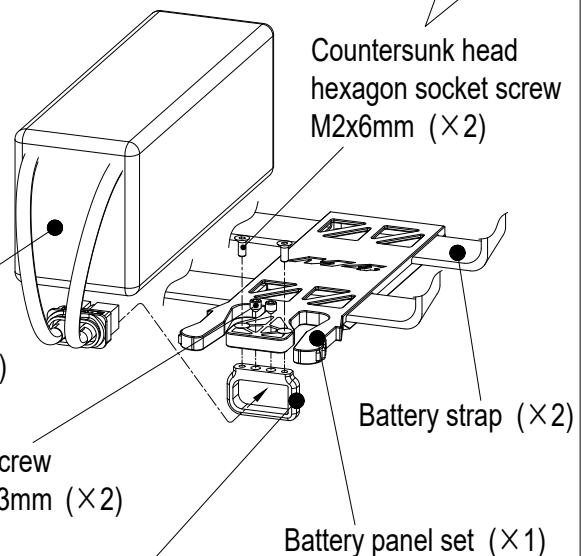
M2.5 Nylon locknut (×1)



※ Make two linkages of the same length, note that turnbuckles feature one right hand and one left hand thread each. The tapered side of the turnbuckle faces down. The ball joint's flat spot with OMP logo faces outward when connecting the linkages with the ball screws. The turnbuckles can be adjusted in length without removing them from the helicopter.

※ The main rotor hub thrust bearing and rubber dampers are subject to high flight forces and thus should be periodically inspected and lubricated, and, if worn or damaged, replaced. When flying hard at high rotor speeds, the inspection interval should be reduced. Replace on condition to ensure flight safety.

※ First fix the XT60 plug holder (optional) to the battery plate with countersunk head screws, then insert the XT60 plug through the XT60 plug holder support and secure it in place with set screws. Lastly, tie the battery to the tray with battery straps.



6S Battery (×1)

Countersunk head  
hexagon socket screw  
M2x6mm (×2)

Setscrew  
M3x3mm (×2)

Battery strap (×2)

Battery panel set (×1)

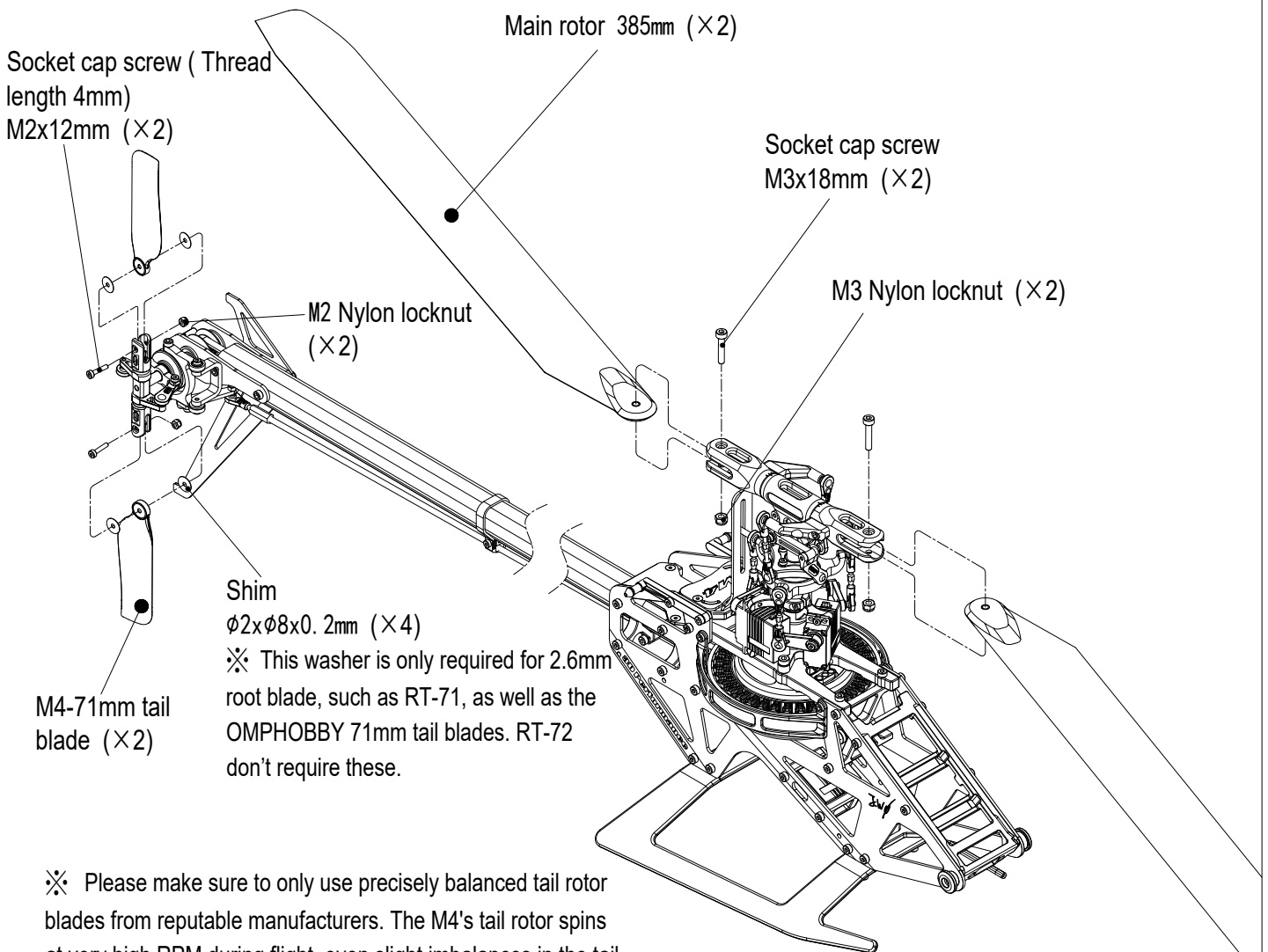
XT60 plug holder set (×1)

※ Can optionally be added as per pilot preference.

M4-402

Battery panel set (×1)	※ XT60 plug holder set (×1)				
 4.5mm linkage Ball Joint Set (×4)					

## 4-3 Rotor blade installation



※ Please make sure to only use precisely balanced tail rotor blades from reputable manufacturers. The M4's tail rotor spins at very high RPM during flight, even slight imbalances in the tail blades can place high stress on the tail mechanics.

※ Properly tighten the main and tail rotor blades so that they do not fall under their own weight, but are easy to move in the blade grips. Over-tightening may cause damage to the rotor blade and compromise flight safety.

M4-403

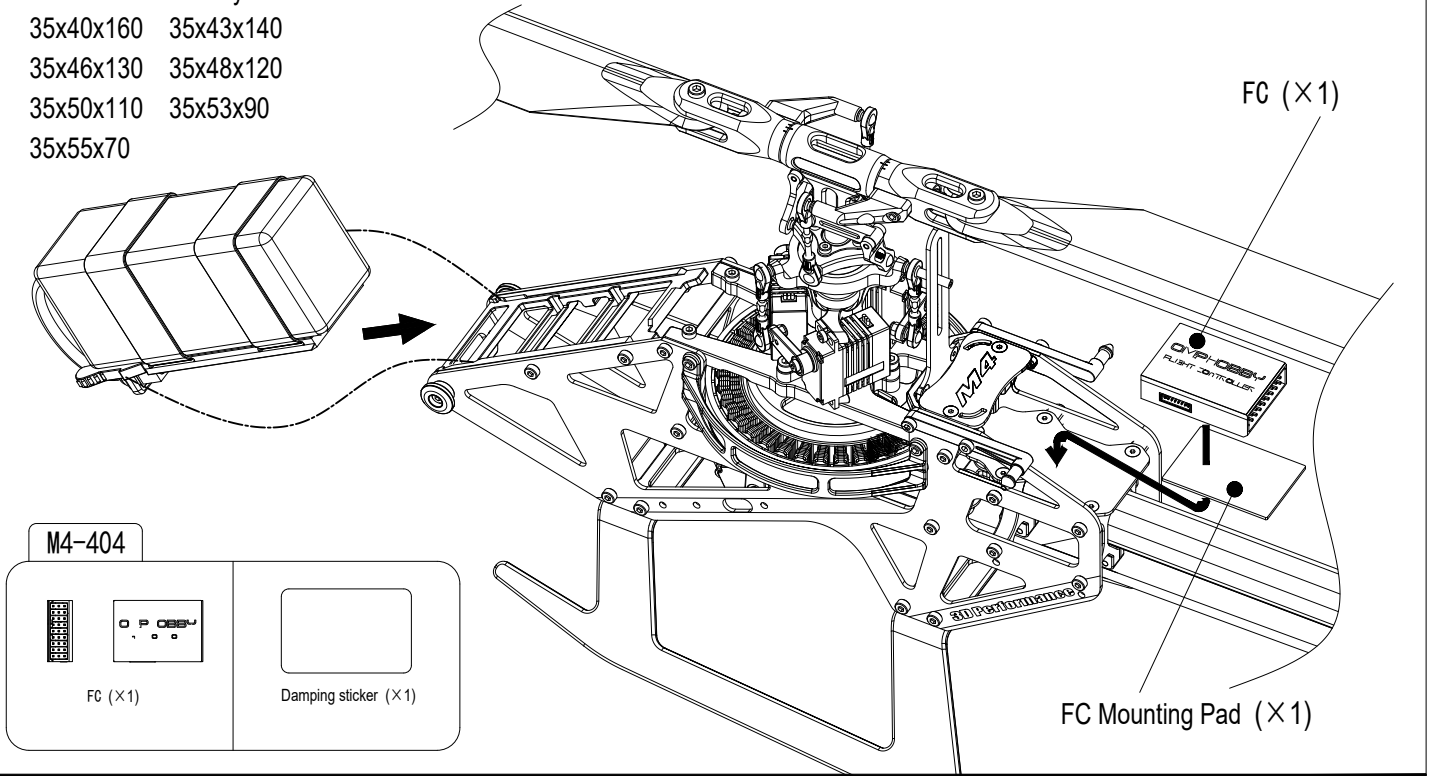
<p>Main rotor 385mm (x2)</p>	<p>M4-71mm tail blade (x2)</p>	<p>※</p> <p>Shim φ2xφ8x0.2mm (x4)</p>	
<p>Socket cap screw (Thread length 4mm) M2x12mm (x2)</p>	<p>Socket cap screw M3x18mm (x2)</p>	<p>M2 Nylon locknut (x2)</p>	<p>M3 Nylon locknut (x2)</p>

## 4-4 ESC, FC, Battery installation

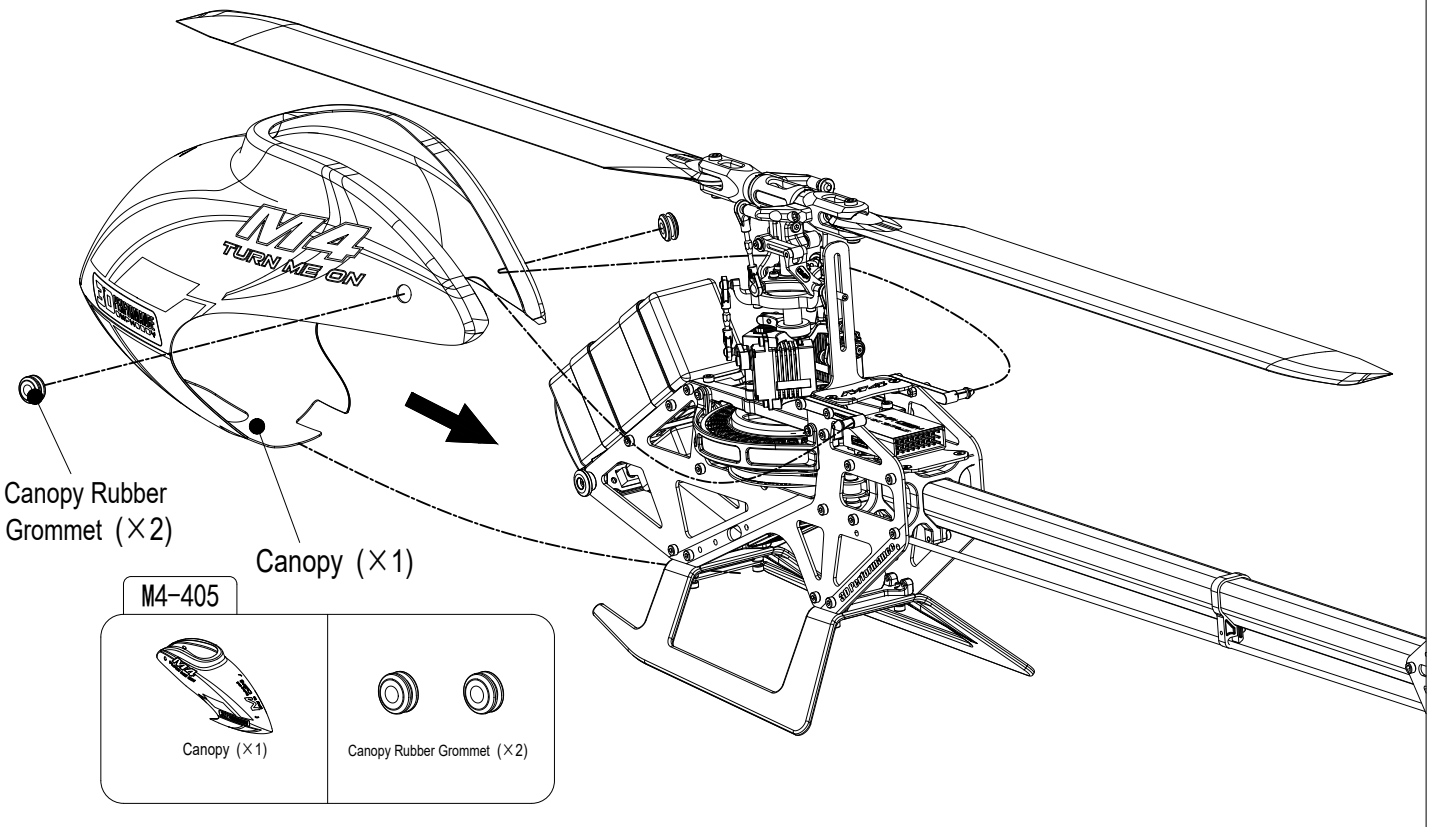
※ Recommended battery weight: 295-330g

Possible max battery dimensions in mm:

- 35x40x160    35x43x140
- 35x46x130    35x48x120
- 35x50x110    35x53x90
- 35x55x70



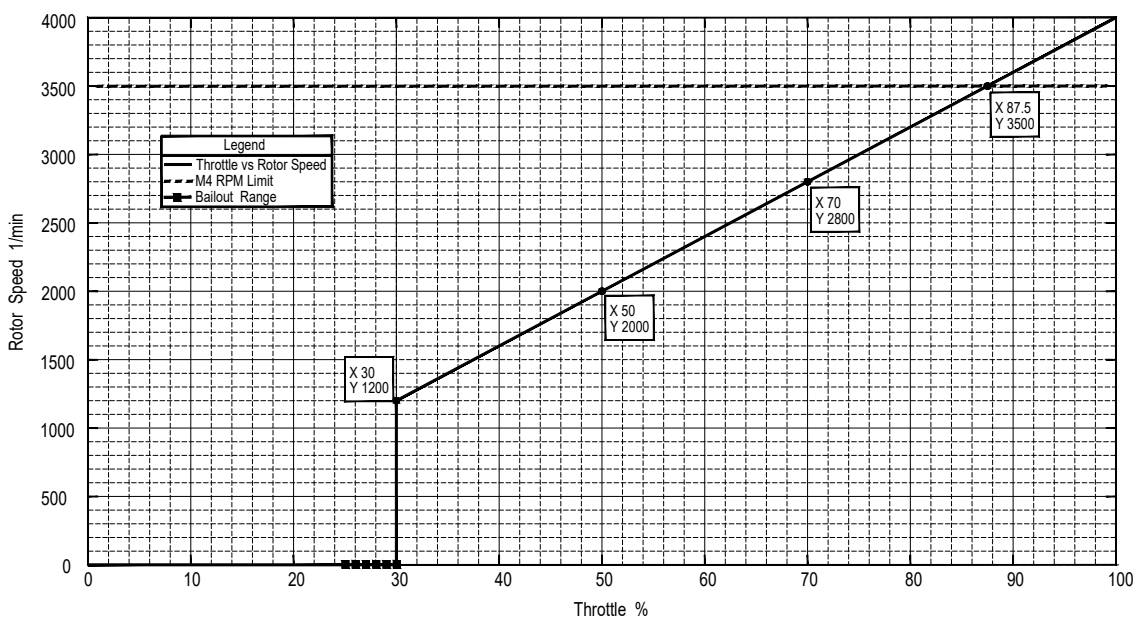
## 4-5 Canopy Installation



## Collective pitch and rotor speed recommendations

Flying Style	Recommended RPM Range	Recommended Collective Pitch Range
Hovering	1600-2000RPM	-5° +12°
Low RPM 3D	1600-2000RPM	±17°
Sport	1600-2200RPM	±12°
Aerobatics	2200-2400RPM	±14°
Soft 3D	2400-2600RPM	±14°
Hard 3D	2600-3000RPM	±14°
Tareq Alsaadi	3500RPM	±12°

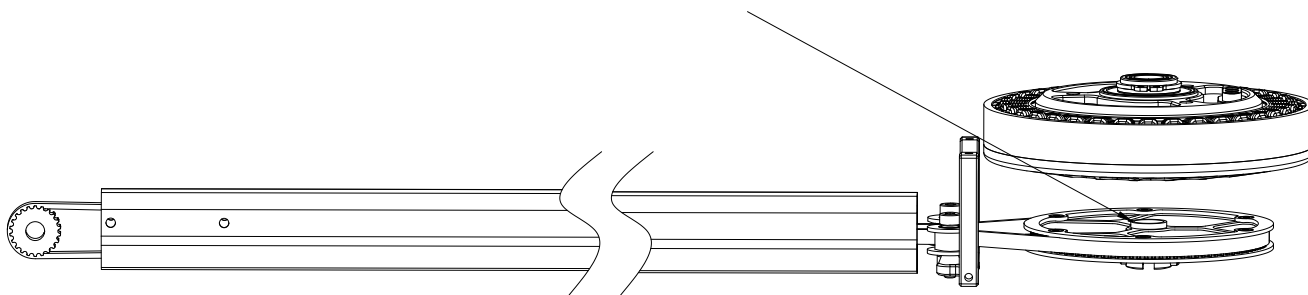
- Maximum Rotor Speed: 3500RPM
- Maximum Collective Pitch below 2000RPM: ±17°
- Maximum Collective Pitch above 2000RPM: ±14°
- Maximum Collective Pitch above 3000RPM: ±12°
- Recommended Rotor Blades: RotorTech 385mm Ultimate, OMPHOBBY 385mm.
- For running rotor speeds above 3000RPM, use of the 88t tail pulley is strongly recommended.



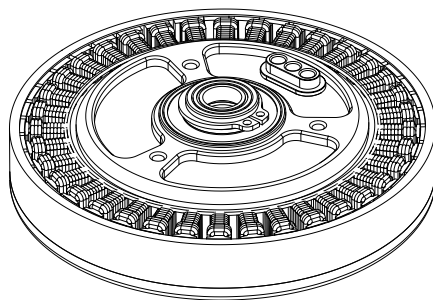
## Spare parts Pack

	Model	Quantity
Screw	Socket cap screw M2x4mm	2
	Socket cap screw M2.5x5mm	2
	Socket cap screw M2.5x6mm	2
	Socket cap screw M2.5x8mm	1
	Socket cap screw M2.5x10mm	1
	Countersunk head hexagon socket screw M2x3mm	2
	Countersunk head hexagon socket screw M2.5x5mm	2
Washers	Washers $\Phi 2 \times \Phi 4.3 \times 0.5 \text{mm}$	2
	Washers $\Phi 2 \times \Phi 8 \times 0.2 \text{mm}$	2
	Washers $\Phi 3 \times \Phi 4.5 \times 0.2 \text{mm}$	4
	Washers $\Phi 5 \times \Phi 6 \times 0.5 \text{mm}$	2
	Washers $\Phi 2 \times \Phi 3.2 \times 0.5 \text{mm}$	2
	Washers $\Phi 8.05 \times \Phi 10 \times 0.2 \text{mm}$	3

※ Add 8x10x0.2mm shims between motor and pulley. Adjust the amount of shims later as necessary to ensure the belt runs centered.



## Motor specifications



V8108 KV205 36N42P

## Servo Spec

OMPHOBBY M4 Micro Tail Servo			
Model	2312T	Operating Voltage:	4.8V-8.4V
Working pulse length:	500-1000us	Max Freq:	PWM max. 560Hz
Connector:	3P Dupont	Wire length:	220mm
Servo Arm:	5mm 25T	Operation Angle:	140 Deg
Item:	Spec		
Operating Voltage:	7.4V		
Dead Band:	2u		
Stall Current	1.7A		
Operating Speed(no load):	0.053sec/60°		
Torque:	3.5kg.cm		
Stall Torque:	7kg.cm		
Weight	21g		
OMPHOBBY M4 Micro cyclic Servo			
Model	2312C	Operating Voltage:	4.8V-8.4V
Working pulse length:	800-2200us	Max Freq:	PWM max. 333Hz
Connector:	3P Dupont	Wire length:	220mm
Servo Arm:	5mm 25T	Operation Angle:	140 Deg
Item:	Spec		
Operating Voltage:	7.4V		
Dead Band:	2u		
Stall Current	1.7A		
Operating Speed(no load):	0.073sec/60°		
Torque:	4.9kg.cm		
Stall Torque :	9kg.cm		

## ESC 65A Specification

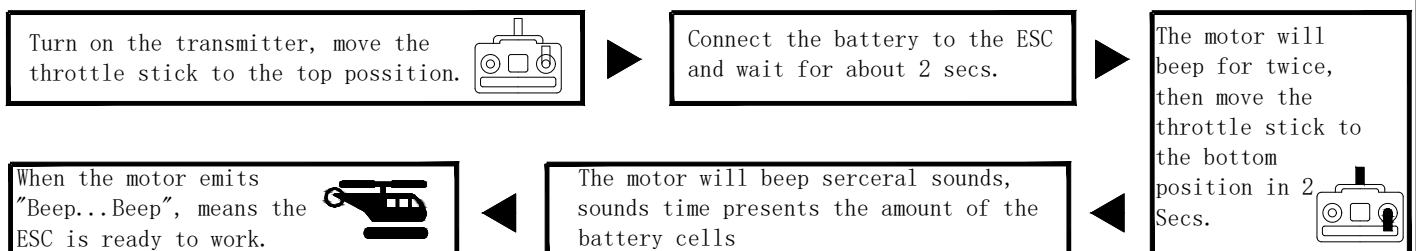
Continuous/Peak current	65A/100A
Input voltage	3-6S Lipo HV
BEC	6V/7.4V/8.4V*, 10A
Input/output wire	1x Black & 1x Red 10AWG Silicon wire / 3x Black 10AWG Silicon wire.
Size/Weight	60x36x18.5mm / 65g

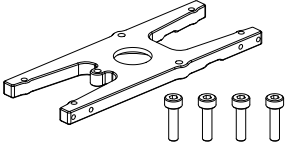
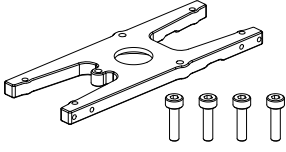
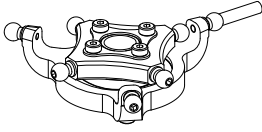
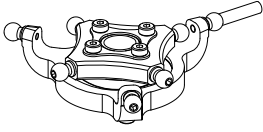
### Wire Connections

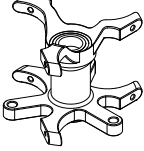
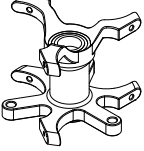
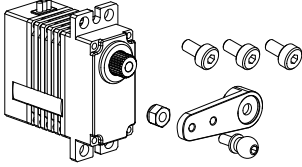
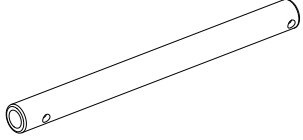
- Throttle signal/BEC output wire (Black, Red, White): Plugs into the receiver throttle channel. The white wire carries the throttle signal, the red wire and black wire carry the BEC voltage and ground.
- RPM signal wire (Yellow): Plug into the RPM input port. (If applicable)

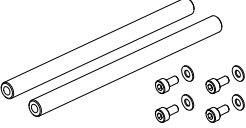
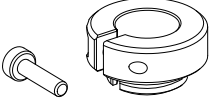
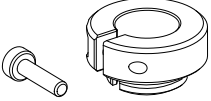
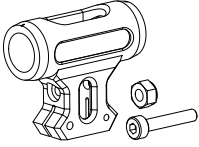
## Throttle calibration procedure

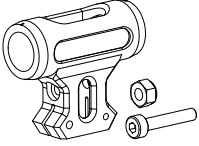
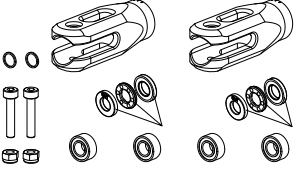
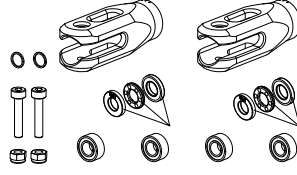
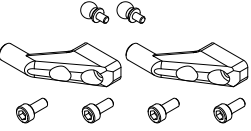
(Important:Please make the throttle calibration for the first time using ESC!!!)

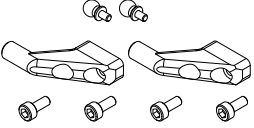
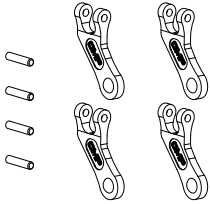
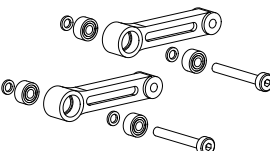
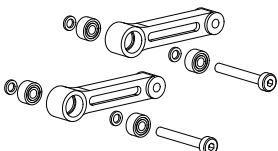


<p>Model: OSHM4001B Package: Hang tag +PE bag                  配件编号: OSHM4001B 包装方式: 吊卡+PE袋                  Product name: Main Plate (Black)                  配件名称: 飞机主固定板 (黑色)</p>  <p>Socket cap screw M2.5x10mm (X4)</p>	<p>Model: OSHM4001S Package: Hang tag +PE bag                  配件编号: OSHM4001S 包装方式: 吊卡+PE袋                  Product name: Main Plate (Silver)                  配件名称: 飞机主固定板 (银色)</p>  <p>Socket cap screw M2.5x10mm (X4)</p>	<p>Model: OSHM4002B Package: Hang tag +PE bag                  配件编号: OSHM4002B 包装方式: 吊卡+PE袋                  Product name: Swashplate (Black)                  配件名称: 倾斜盘组 (黑色)</p> 	<p>Model: OSHM4002S Package: Hang tag +PE bag                  配件编号: OSHM4002S 包装方式: 吊卡+PE袋                  Product name: Swashplate (Silver)                  配件名称: 倾斜盘组 (银色)</p> 
---	--	---	---

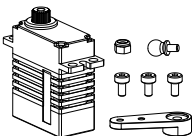
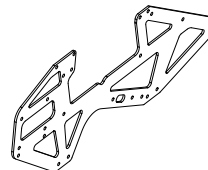
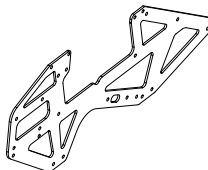
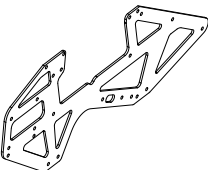
<p>Model: OSHM4003B Package: Hang tag +PE bag                  配件编号: OSHM4003B 包装方式: 吊卡+PE袋                  Product name: Servo Mount (Black)                  配件名称: 舵机固定支架组 (黑色)</p>  <p>Bearing <math>\phi 8 \times \phi 14 \times 4 \text{mm}</math> (X2)</p>	<p>Model: OSHM4003S Package: Hang tag +PE bag                  配件编号: OSHM4003S 包装方式: 吊卡+PE袋                  Product name: Servo Mount (Silver)                  配件名称: 舵机固定支架组 (银色)</p>  <p>Bearing <math>\phi 8 \times \phi 14 \times 4 \text{mm}</math> (X2)</p>	<p>Model: OSHM4004 Package: Hang tag +PE bag                  配件编号: OSHM4004 包装方式: 吊卡+PE袋                  Product name: Cyclic Servo Set                  配件名称: 倾斜舵机组</p>  <p>Socket cap screw M2x4mm (X3)                  Ball Joint Screw - L4.65 (X1)                  M2 Nylon locknut (X1)</p>	<p>Model: OSHM4005 Package: Hang tag +PE bag                  配件编号: OSHM4005 包装方式: 吊卡+PE袋                  Product name: Main Rotor Shaft                  配件名称: 主轴</p> 
--	---	---	---

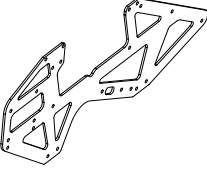
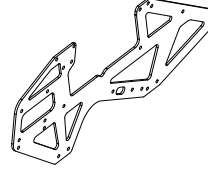
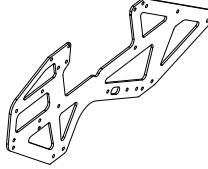
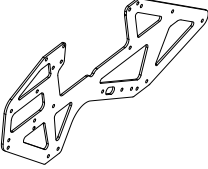
<p>Model: OSHM4006 Package: Hang tag +PE bag                  配件编号: OSHM4006 包装方式: 吊卡+PE袋                  Product name: Feathering Shaft                  配件名称: 横轴</p>  <p>Socket cap screw M3x6mm (X4)                  Shim <math>\phi 3 \times \phi 6.5 \times 0.5 \text{mm}</math> (X4)</p>	<p>Model: OSHM4007B Package: Hang tag +PE bag                  配件编号: OSHM4007B 包装方式: 吊卡+PE袋                  Product name: Main Shaft Clamp (Black)                  配件名称: 主轴限位环 (黑色)</p>  <p>Socket cap screw M2.5x8mm (X1)</p>	<p>Model: OSHM4007S Package: Hang tag +PE bag                  配件编号: OSHM4007S 包装方式: 吊卡+PE袋                  Product name: Main Shaft Clamp (Silver)                  配件名称: 主轴限位环 (银色)</p>  <p>Socket cap screw M2.5x8mm (X1)</p>	<p>Model: OSHM4008B Package: Hang tag +PE bag                  配件编号: OSHM4008B 包装方式: 吊卡+PE袋                  Product name: Main Rotor Hub (Black)                  配件名称: 主旋翼固定座 (黑色)</p>  <p>Socket cap screw M2.5x15mm (X1)                  M2.5 Nylon locknut (X1)</p>
---	---	---	--

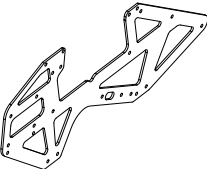
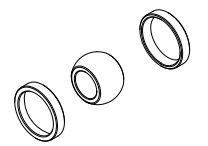
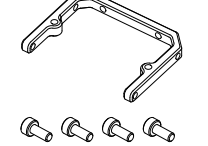
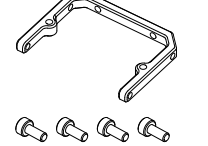
<p>Model: OSHM4008S Package: Hang tag +PE bag                  配件编号: OSHM4008S 包装方式: 吊卡+PE袋                  Product name: Main Rotor Hub (Silver)                  配件名称: 主旋翼固定座 (银色)</p>  <p>Socket cap screw M2.5x15mm (X1)                  M2.5 Nylon locknut (X1)</p>	<p>Model: OSHM4009B Package: Hang tag +PE bag                  配件编号: OSHM4009B 包装方式: 吊卡+PE袋                  Product name: Main Rotor Blade Grip Set (Black)                  配件名称: 主旋翼夹组 (黑色)</p>  <p>Bearing <math>\phi 5 \times \phi 10 \times 4 \text{mm}</math> (X4)                  M3 Nylon locknut (X2)                  Thrust Bearing <math>\phi 5 \times \phi 10 \times 4 \text{mm}</math> (X2)                  Socket cap screw Shim <math>\phi 5 \times \phi 6 \times 0.5 \text{mm}</math> (X2)                  M3x18mm (X2)</p>	<p>Model: OSHM4009S Package: Hang tag +PE bag                  配件编号: OSHM4009S 包装方式: 吊卡+PE袋                  Product name: Main Rotor Blade Grip Set (Silver)                  配件名称: 主旋翼夹组 (银色)</p>  <p>Bearing <math>\phi 5 \times \phi 10 \times 4 \text{mm}</math> (X4)                  M3 Nylon locknut (X2)                  Thrust Bearing <math>\phi 5 \times \phi 10 \times 4 \text{mm}</math> (X2)                  Socket cap screw Shim <math>\phi 5 \times \phi 6 \times 0.5 \text{mm}</math> (X2)                  M3x18mm (X2)</p>	<p>Model: OSHM4010B Package: Hang tag +PE bag                  配件编号: OSHM4010B 包装方式: 吊卡+PE袋                  Product name: Main Rotor Grip Arm Set (Black)                  配件名称: 主旋翼夹臂组 (黑色)</p>  <p>Socket cap screw M2.5x6mm (X2)                  Ball Joint Screw - L3 (X2)</p>
---	---	---	---

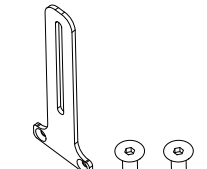
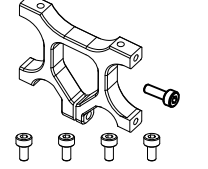
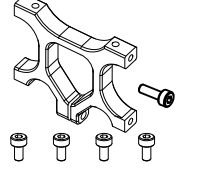
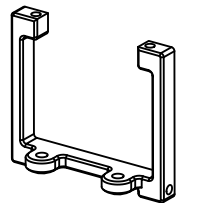
<p>Model: OSHM4010S Package: Hang tag +PE bag                  配件编号: OSHM4010S 包装方式: 吊卡+PE袋                  Product name: Main Rotor Grip Arm Set (Silver)                  配件名称: 主旋翼夹臂组 (银色)</p>  <p>Socket cap screw M2.5x6mm (X2)                  Ball Joint Screw - L3 (X2)</p>	<p>Model: OSHM4011 Package: Hang tag +PE bag                  配件编号: OSHM4011 包装方式: 吊卡+PE袋                  Product name: Swashplate Driver Linkage Set                  配件名称: 倾斜盘支架组</p>  <p>Tail Pulley Pin <math>\phi 2.0 \times 9.5 \text{mm}</math> (X4)</p>	<p>Model: OSHM4012B Package: Hang tag +PE bag                  配件编号: OSHM4012B 包装方式: 吊卡+PE袋                  Product name: Swashplate Driver Arm Set (Black)                  配件名称: 螺旋辅助臂组 (黑色)</p>  <p>Socket cap screw M2x16mm (X2)                  Shim <math>\phi 2 \times \phi 3.2 \times 0.5 \text{mm}</math> (X4)                  Bearing <math>\phi 2 \times \phi 5 \times 2.5 \text{mm}</math> (X4)</p>	<p>Model: OSHM4012S Package: Hang tag +PE bag                  配件编号: OSHM4012S 包装方式: 吊卡+PE袋                  Product name: Swashplate Driver Arm Set (Silver)                  配件名称: 螺旋辅助臂组 (银色)</p>  <p>Socket cap screw M2x16mm (X2)                  Shim <math>\phi 2 \times \phi 3.2 \times 0.5 \text{mm}</math> (X4)                  Bearing <math>\phi 2 \times \phi 5 \times 2.5 \text{mm}</math> (X4)</p>
--	---	--	--

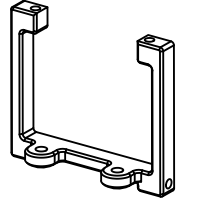
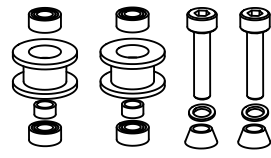
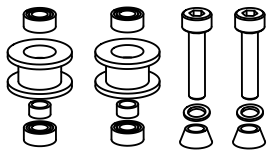
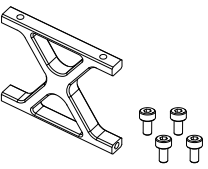


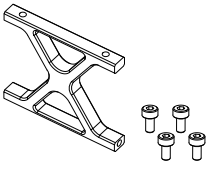
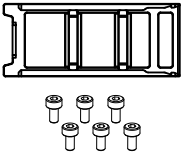
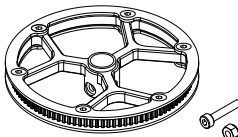
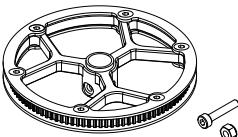
<p>Model: OSHM4013 配件编号: OSHM4013 Product name: Tail Servo Set 配件名称: 尾舵机组</p>  <p>Socket cap screw M2x4mm (X3) Ball Joint Screw - L4.65 (X1) M2 Nylon locknut (X1)</p>	<p>Model: OSHM4014R-R 配件编号: OSHM4014R-R Product name: Right Main Frame - Viva Magenta 配件名称: 右机身侧板 (非凡洋红)</p> 	<p>Model: OSHM4014B-R 配件编号: OSHM4014B-R Product name: Right Main Frame - Classic Blue 配件名称: 右机身侧板 (经典蓝)</p> 	<p>Model: OSHM4014Y-R 配件编号: OSHM4014Y-R Product name: Right Main Frame - Racing Yellow 配件名称: 右机身侧板 (竞速黄)</p> 
---	--	--	--

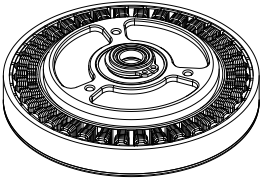
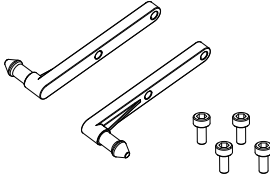
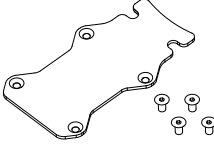
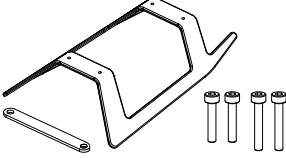
<p>Model: OSHM4014O-R 配件编号: OSHM4014O-R Product name: Right Main Frame - Charm Orange 配件名称: 右机身侧板 (魔力橙)</p> 	<p>Model: OSHM4014R-L 配件编号: OSHM4014R-L Product name: Left Main Frame - Viva Magenta 配件名称: 左机身侧板 (非凡洋红)</p> 	<p>Model: OSHM4014B-L 配件编号: OSHM4014B-L Product name: Left Main Frame - Classic Blue 配件名称: 左机身侧板 (经典蓝)</p> 	<p>Model: OSHM4014Y-L 配件编号: OSHM4014Y-L Product name: Left Main Frame - Racing Yellow 配件名称: 左机身侧板 (竞速黄)</p> 
---	---	---	---

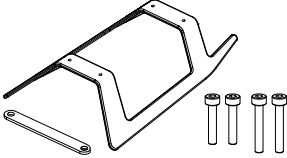
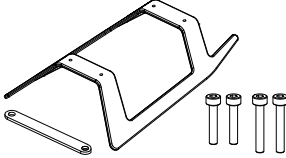
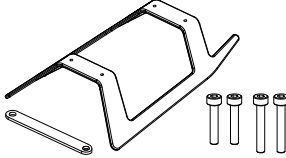
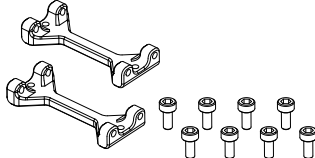
<p>Model: OSHM4014O-L 配件编号: OSHM4014O-L Product name: Left Main Frame - Charm Orange 配件名称: 左机身侧板 (魔力橙)</p> 	<p>Model: OSHM4015 配件编号: OSHM4015 Product name: Swashplate Spherical Ball Joint 配件名称: 倾斜球固定座组</p> 	<p>Model: OSHM4016B 配件编号: OSHM4016B Product name: Swashplate Guidance Mount (Black) 配件名称: 倾斜盘导向板安装座 (黑色)</p>  <p>Socket cap screw M2.5x8mm (X4)</p>	<p>Model: OSHM4016S 配件编号: OSHM4016S Product name: Swashplate Guidance Mount (Silver) 配件名称: 倾斜盘导向板安装座 (银色)</p>  <p>Socket cap screw M2.5x8mm (X4)</p>
--	---	---	---

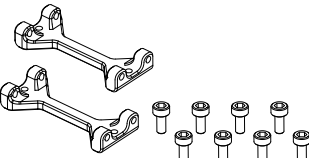
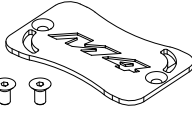


<p>Model: OSHM4017 配件编号: OSHM4017 Product name: Swashplate Guidance Plate 配件名称: 倾斜盘导向板</p>  <p>Countersunk head hexagon socket screw M2.5x5mm (X2)</p>	<p>Model: OSHM4018B 配件编号: OSHM4018B Product name: Tail Boom Mount (Black) 配件名称: 尾管固定座 (黑色)</p>  <p>Socket cap screw M2.5x5mm (X4) Socket cap screw M2.5x8mm (X1)</p>	<p>Model: OSHM4018S 配件编号: OSHM4018S Product name: Tail Boom Mount (Silver) 配件名称: 尾管固定座 (银色)</p>  <p>Socket cap screw M2.5x5mm (X4) Socket cap screw M2.5x8mm (X1)</p>	<p>Model: OSHM4019B 配件编号: OSHM4019B Product name: Square Frame Brace (Black) 配件名称: 张紧轮支架 (黑色)</p> 
---	---	---	---

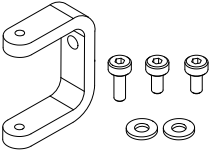
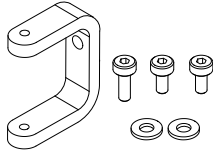
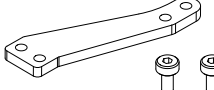
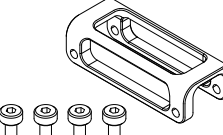
<p>Model: OSHM4019S 配件编号: OSHM4019S Product name: Square Frame Brace (Silver) 配件名称: 张紧轮支架 (银色)</p> 	<p>Model: OSHM4020B 配件编号: OSHM4020B Product name: Idler Pulley Set (Black) 配件名称: 皮带张紧轮组 (黑色)</p>  <p>Bearing <math>\phi 3 \times \phi 6 \times 2.5 \text{mm}</math> (X4) Bushing <math>\phi 3 \times \phi 4 \times 2 \text{mm}</math> (X2) Socket cap screw M3x14mm (X2) Shim <math>\phi 3.05 \times \phi 4.5 \times 0.5 \text{mm}</math> (X2)</p>	<p>Model: OSHM4020S 配件编号: OSHM4020S Product name: Idler Pulley Set (Silver) 配件名称: 皮带张紧轮组 (银色)</p>  <p>Bearing <math>\phi 3 \times \phi 6 \times 2.5 \text{mm}</math> (X4) Bushing <math>\phi 3 \times \phi 4 \times 2 \text{mm}</math> (X2) Socket cap screw M3x14mm (X2) Shim <math>\phi 3.05 \times \phi 4.5 \times 0.5 \text{mm}</math> (X2)</p>	<p>Model: OSHM4021B 配件编号: OSHM4021B Product name: X Frame Brace (Black) 配件名称: 机身侧板支撑架 (黑色)</p>  <p>Socket cap screw M2.5x5mm (X4)</p>
--	---	---	--

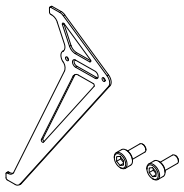
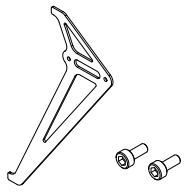
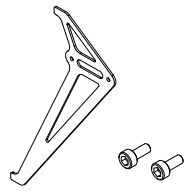
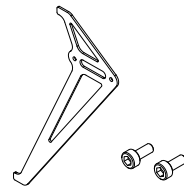
<p>Model: OSHM4021S Package: Hang tag +PE bag                  配件编号: OSHM4021S 包装方式: 吊卡+PE袋                  Product name: X Frame Brace (Silver)                  配件名称: 机身侧板支撑架 (银色)</p>  <p>Socket cap screw M2. 5x5mm (X4)</p>	<p>Model: OSHM4022 Package: Hang tag +PE bag                  配件编号: OSHM4022 包装方式: 吊卡+PE袋                  Product name: Battery Rail                  配件名称: 电池导轨</p>  <p>Socket cap screw M2. 5x5mm (X6)</p>	<p>Model: OSHM4023B Package: Hang tag +PE bag                  配件编号: OSHM4023B 包装方式: 吊卡+PE袋                  Product name: Main Pulley 99T (Black)                  配件名称: 主同步滑轮组 (黑色)</p>  <p>Socket cap screw M2. 5x15mm (X1)                  Countersunk head hexagon socket screw M2x3mm (X12)                  M2.5 Nylon locknut (X1)</p>	<p>Model: OSHM4023S Package: Hang tag +PE bag                  配件编号: OSHM4023S 包装方式: 吊卡+PE袋                  Product name: Main Pulley 99T (Silver)                  配件名称: 主同步滑轮组 (银色)</p>  <p>Socket cap screw M2. 5x15mm (X1)                  Countersunk head hexagon socket screw M2x3mm (X12)                  M2.5 Nylon locknut (X1)</p>
--	--	---	---

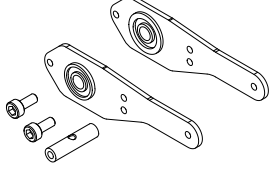
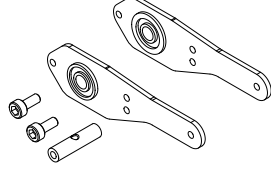
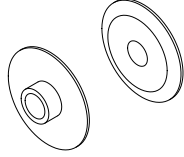
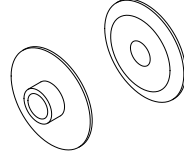
<p>Model: OSHM4024 Package: Hang tag +PE bag                  配件编号: OSHM4024 包装方式: 吊卡+PE袋                  Product name: SUNNYSKY R80-5                  配件名称: 8108动力电机</p> 	<p>Model: OSHM4025 Package: Hang tag +PE bag                  配件编号: OSHM4025 包装方式: 吊卡+PE袋                  Product name: Canopy Mounting Post                  配件名称: 头罩安装柱</p>  <p>Socket cap screw M2. 5x8mm (X4)</p>	<p>Model: OSHM4026 Package: Hang tag +PE bag                  配件编号: OSHM4026 包装方式: 吊卡+PE袋                  Product name: Flight Control Mounting Plate                  配件名称: 飞控固定板</p>  <p>Countersunk head hexagon socket screw M2.5x5mm (X4)</p>	<p>Model: OSHM4027R Package: Hang tag +PE bag                  配件编号: OSHM4027R 包装方式: 吊卡+PE袋                  Product name: Landing skid - Viva Magenta                  配件名称: 脚架 (非凡洋红)</p>  <p>Socket cap screw M2. 5x10mm (X2)                  Socket cap screw M2. 5x12mm (X2)</p>
---	---	---	---

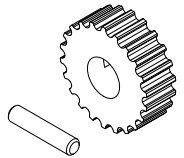
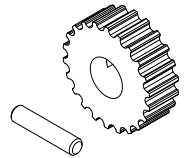
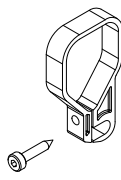
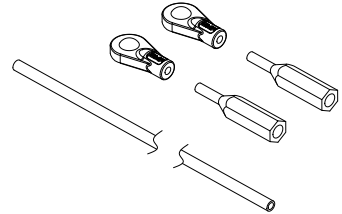
<p>Model: OSHM4027B Package: Hang tag +PE bag                  配件编号: OSHM4027B 包装方式: 吊卡+PE袋                  Product name: Landing skid - Classic Blue                  配件名称: 脚架 (经典蓝)</p>  <p>Socket cap screw M2. 5x10mm (X2)                  Socket cap screw M2. 5x12mm (X2)</p>	<p>Model: OSHM4027Y Package: Hang tag +PE bag                  配件编号: OSHM4027Y 包装方式: 吊卡+PE袋                  Product name: Landing skid - Racing Yellow                  配件名称: 脚架 (竞速黄)</p>  <p>Socket cap screw M2. 5x10mm (X2)                  Socket cap screw M2. 5x12mm (X2)</p>	<p>Model: OSHM4027O Package: Hang tag +PE bag                  配件编号: OSHM4027O 包装方式: 吊卡+PE袋                  Product name: Landing skid - Charm Orange                  配件名称: 脚架 (魔力橙)</p>  <p>Socket cap screw M2. 5x10mm (X2)                  Socket cap screw M2. 5x12mm (X2)</p>	<p>Model: OSHM4028B Package: Hang tag +PE bag                  配件编号: OSHM4028B 包装方式: 吊卡+PE袋                  Product name: Landing Skid Mount set (Black)                  配件名称: 脚架固定座 (黑色)</p>  <p>Socket cap screw M2. 5x5mm (X8)</p>
--	---	---	--

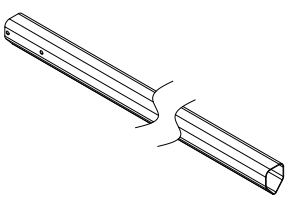
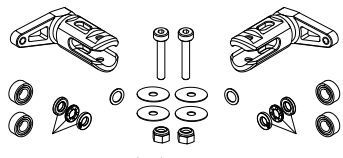
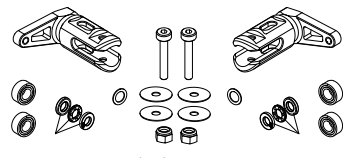
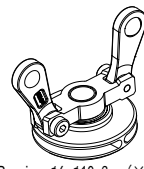
<p>Model: OSHM4028S Package: Hang tag +PE bag                  配件编号: OSHM4028S 包装方式: 吊卡+PE袋                  Product name: Landing Skid Mount set (Silver)                  配件名称: 脚架固定座 (银色)</p>  <p>Socket cap screw M2. 5x5mm (X8)</p>	<p>Model: OSHM4029 Package: Hang tag +PE bag                  配件编号: OSHM4029 包装方式: 吊卡+PE袋                  Product name: Receiver Mounting Plate                  配件名称: 接收机垫板</p>  <p>Countersunk head hexagon socket screw M2.5x5mm (X2)</p>	<p>Model: OSHM4030B Package: Hang tag +PE bag                  配件编号: OSHM4030B 包装方式: 吊卡+PE袋                  Product name: Tail Bellcrank (Black)                  配件名称: 尾变距推座 (黑色)</p>  <p>Flanged Bearing Ø2xØ6x3mm (X2)</p>	<p>Model: OSHM4030S Package: Hang tag +PE bag                  配件编号: OSHM4030S 包装方式: 吊卡+PE袋                  Product name: Tail Bellcrank (Silver)                  配件名称: 尾变距推座 (银色)</p>  <p>Flanged Bearing Ø2xØ6x3mm (X2)</p>
---	--	--	--

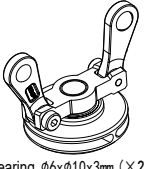
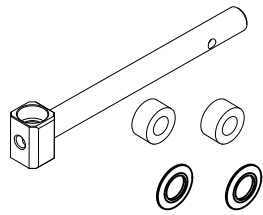
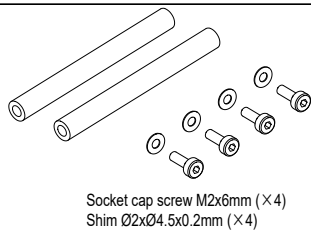

<p>Model: OSHM4031B Package: Hang tag +PE bag                  配件编号: OSHM4031B 包装方式: 吊卡+PE袋                  Product name: Tail Bellcrank Base (Black)                  配件名称: 尾变距支撑座 (黑色)</p>  <p>Socket cap screw M2x6mm (X2)                  Socket cap screw M2.5x8mm (X2)                  Shim Ø2xØ3.2x0.5mm (X2)</p>	<p>Model: OSHM4031S Package: Hang tag +PE bag                  配件编号: OSHM4031S 包装方式: 吊卡+PE袋                  Product name: Tail Bellcrank Base (Silver)                  配件名称: 尾变距支撑座 (银色)</p>  <p>Socket cap screw M2x6mm (X2)                  Socket cap screw M2.5x8mm (X2)                  Shim Ø2xØ3.2x0.5mm (X2)</p>	<p>Model: OSHM4032 Package: Hang tag +PE bag                  配件编号: OSHM4032 包装方式: 吊卡+PE袋                  Product name: Tail Bellcrank Arm                  配件名称: 尾变距连接摆臂</p>  <p>Socket cap screw M2x4mm (X2)</p>	<p>Model: OSHM4033B Package: Hang tag +PE bag                  配件编号: OSHM4033B 包装方式: 吊卡+PE袋                  Product name: Tail Housing Mounting Brace (Black)                  配件名称: 尾侧板管内固定块 (黑色)</p>  <p>Socket cap screw M2. 5x8mm (X4)</p>
--	---	---	--

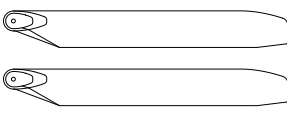
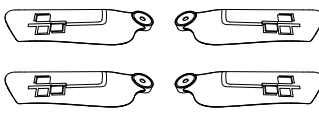
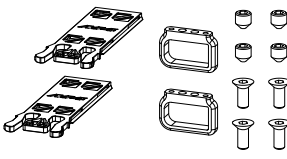
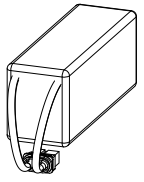
<p>Model: OSHM4034R Package: Hang tag +PE bag                  配件编号: OSHM4034R 包装方式: 吊卡+PE袋                  Product name: Tail Fin - Viva Magenta                  配件名称: 尾垂直翼 (非凡洋红)</p>  <p>Socket cap screw M2. 5x8mm (X2)</p>	<p>Model: OSHM4034B Package: Hang tag +PE bag                  配件编号: OSHM4034B 包装方式: 吊卡+PE袋                  Product name: Tail Fin - Classic Blue                  配件名称: 尾垂直翼 (经典蓝)</p>  <p>Socket cap screw M2. 5x8mm (X2)</p>	<p>Model: OSHM4034Y Package: Hang tag +PE bag                  配件编号: OSHM4034Y 包装方式: 吊卡+PE袋                  Product name: Tail Fin - Racing Yellow                  配件名称: 尾垂直翼 (竞速黄)</p>  <p>Socket cap screw M2. 5x8mm (X2)</p>	<p>Model: OSHM4034O Package: Hang tag +PE bag                  配件编号: OSHM4034O 包装方式: 吊卡+PE袋                  Product name: Tail Fin - Charm Orange                  配件名称: 尾垂直翼 (魔力橙)</p>  <p>Socket cap screw M2. 5x8mm (X2)</p>
--	---	---	---

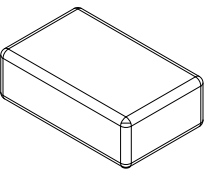
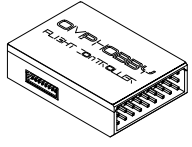
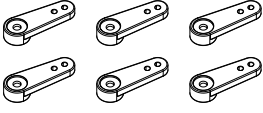
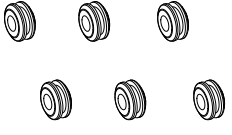
<p>Model: OSHM4035B Package: Hang tag +PE bag                  配件编号: OSHM4035B 包装方式: 吊卡+PE袋                  Product name: Tail Side Plate Set (Black)                  配件名称: 尾侧板 (黑色)</p>  <p>Tail Case Crossmember (X1)                  Flanged Bearing <math>\phi 5 \times \phi 13 \times 4 \text{mm}</math> (X2)                  Socket cap screw M2. 5x6mm (X2)</p>	<p>Model: OSHM4035S Package: Hang tag +PE bag                  配件编号: OSHM4035S 包装方式: 吊卡+PE袋                  Product name: Tail Side Plate Set (Silver)                  配件名称: 尾侧板 (银色)</p>  <p>Tail Case Crossmember (X1)                  Flanged Bearing <math>\phi 5 \times \phi 13 \times 4 \text{mm}</math> (X2)                  Socket cap screw M2. 5x6mm (X2)</p>	<p>Model: OSHM4036B Package: Hang tag +PE bag                  配件编号: OSHM4036B 包装方式: 吊卡+PE袋                  Product name: Tail Pulley Flange Set (Black)                  配件名称: 尾滑轮限位法兰 (黑色)</p> 	<p>Model: OSHM4036S Package: Hang tag +PE bag                  配件编号: OSHM4036S 包装方式: 吊卡+PE袋                  Product name: Tail Pulley Flange Set (Silver)                  配件名称: 尾滑轮限位法兰 (银色)</p> 
---	--	--	--

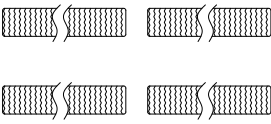
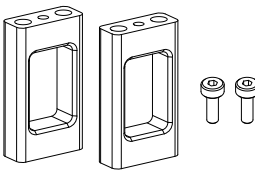
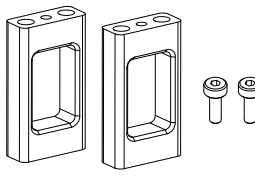
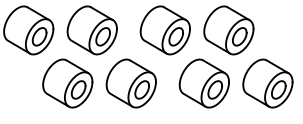
<p>Model: OSHM4037B Package: Hang tag +PE bag                  配件编号: OSHM4037B 包装方式: 吊卡+PE袋                  Product name: Tail Pulley 22t (Black)                  配件名称: 尾同步滑轮 (黑色)</p>  <p>Tail Pulley Pin <math>\phi 2.0 \times 9.5 \text{mm}</math> (X1)</p>	<p>Model: OSHM4037S Package: Hang tag +PE bag                  配件编号: OSHM4037S 包装方式: 吊卡+PE袋                  Product name: Tail Pulley 22t (Silver)                  配件名称: 尾同步滑轮 (银色)</p>  <p>Tail Pulley Pin <math>\phi 2.0 \times 9.5 \text{mm}</math> (X1)</p>	<p>Model: OSHM4038 Package: Hang tag +PE bag                  配件编号: OSHM4038 包装方式: 吊卡+PE袋                  Product name: Tail Linkage Guide                  配件名称: 尾舵机连杆支撑座</p>  <p>Self-tapping screws M2x8mm (X1)</p>	<p>Model: OSHM4039S Package: Hang tag +PE bag                  配件编号: OSHM4039S 包装方式: 吊卡+PE袋                  Product name: Tail Linkage Rod Set (Silver)                  配件名称: 尾舵机连杆组 (银色)</p> 
---	--	---	---

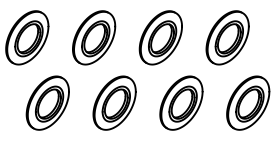
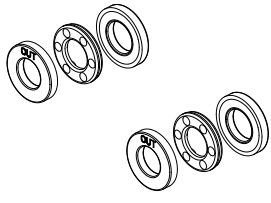
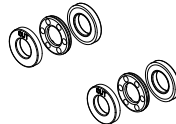
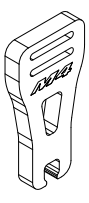
<p>Model: OSHM4040 Package: Hang tag +PE bag                  配件编号: OSHM4040 包装方式: 吊卡+PE袋                  Product name: Tail Boom                  配件名称: 尾管</p> 	<p>Model: OSHM4041B Package: Hang tag +PE bag                  配件编号: OSHM4041B 包装方式: 吊卡+PE袋                  Product name: Tail Blade Grip Set (Black)                  配件名称: 尾旋翼夹组 (黑色)</p>  <p>Bearing <math>\phi 3 \times \phi 6 \times 2.5 \text{mm}</math> (X4)                  Thrust Bearing <math>\phi 3 \times \phi 6 \times 2.8 \text{mm}</math> (X2)                  Shim <math>\phi 3 \times \phi 4.5 \times 0.2 \text{mm}</math> (X2)                  Shim <math>\phi 2 \times \phi 8 \times 0.2 \text{mm}</math> (X4)                  M2 Nylon locknut (X2)                  Socket cap screw M2x12mm (X2)</p>	<p>Model: OSHM4041S Package: Hang tag +PE bag                  配件编号: OSHM4041S 包装方式: 吊卡+PE袋                  Product name: Tail Blade Grip Set (Silver)                  配件名称: 尾旋翼夹组 (银色)</p>  <p>Bearing <math>\phi 3 \times \phi 6 \times 2.5 \text{mm}</math> (X4)                  Thrust Bearing <math>\phi 3 \times \phi 6 \times 2.8 \text{mm}</math> (X2)                  Shim <math>\phi 3 \times \phi 4.5 \times 0.2 \text{mm}</math> (X2)                  Shim <math>\phi 2 \times \phi 8 \times 0.2 \text{mm}</math> (X4)                  M2 Nylon locknut (X2)                  Socket cap screw M2x12mm (X2)</p>	<p>Model: OSHM4042B Package: Hang tag +PE bag                  配件编号: OSHM4042B 包装方式: 吊卡+PE袋                  Product name: Tail Pitch Slider Set (Black)                  配件名称: 尾变距滑动座组 (黑色)</p>  <p>Bearing <math>\phi 6 \times \phi 10 \times 3 \text{mm}</math> (X2)                  Shim <math>\phi 6 \times \phi 7 \times 1 \text{mm}</math> (X1)                  Socket cap screw M2x6mm (X2)                  Tail Slider Joint Bushing <math>\phi 2 \times \phi 3 \times 3 \text{mm}</math> (X1)</p>
--	---	---	---

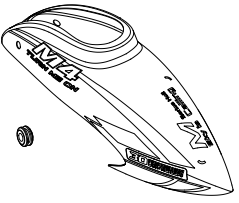
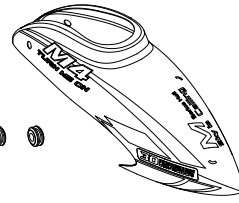
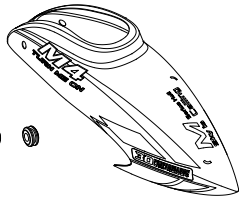
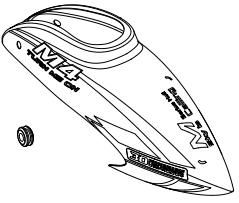
<p>Model: OSHM4042S Package: Hang tag +PE bag                  配件编号: OSHM4042S 包装方式: 吊卡+PE袋                  Product name: Tail Pitch Slider Set (Silver)                  配件名称: 尾变距滑动座组 (银色)</p>  <p>Bearing <math>\phi 6 \times \phi 10 \times 3 \text{mm}</math> (X2)                  Shim <math>\phi 6 \times \phi 7 \times 1 \text{mm}</math> (X1)                  Socket cap screw M2x6mm (X2)                  Tail Slider Joint Bushing <math>\phi 2 \times \phi 3 \times 3 \text{mm}</math> (X1)</p>	<p>Model: OSHM4043 Package: Hang tag +PE bag                  配件编号: OSHM4043 包装方式: 吊卡+PE袋                  Product name: Tail Rotor Shaft                  配件名称: 尾主轴</p> 	<p>Model: OSHM4044 Package: Hang tag +PE bag                  配件编号: OSHM4044 包装方式: 吊卡+PE袋                  Product name: Tail Spindle Shaft                  配件名称: 尾中心座轴组</p>  <p>Socket cap screw M2x6mm (X4)                  Shim <math>\phi 2 \times \phi 4.5 \times 0.2 \text{mm}</math> (X4)</p>	<p>Model: OSHM4045 Package: Hang tag +PE bag                  配件编号: OSHM4045 包装方式: 吊卡+PE袋                  Product name: Timing Belt                  配件名称: 同步皮带</p> 
--	--	--	--

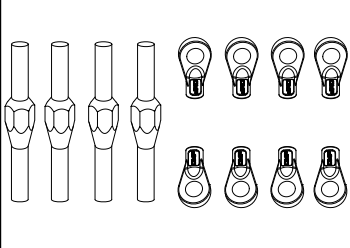
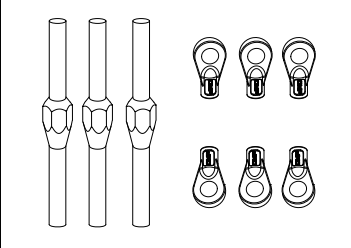
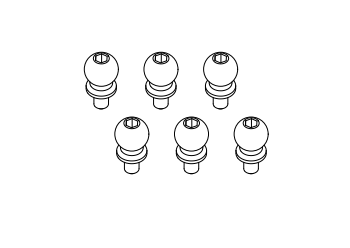
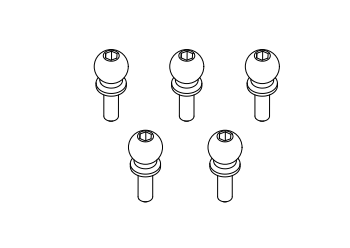
<p>Model: OSHM4046                  配件编号: OSHM4046                  Package: Hang tag +PE bag                  包装方式: 吊卡+PE袋                  Product name: 385mm Main blade                  配件名称: 385主旋翼</p> 	<p>Model: OSHM4047                  配件编号: OSHM4047                  Package: Hang tag +PE bag                  包装方式: 吊卡+PE袋                  Product name: OMPHOBBY 71mm Tail blade                  配件名称: 71mm尾旋翼架</p> 	<p>Model: OSHM4048                  配件编号: OSHM4048                  Package: Hang tag +PE bag                  包装方式: 吊卡+PE袋                  Product name: Battery Tray Set                  配件名称: 电池板组</p>  <p>Countersunk head hexagon socket screw M2x6mm (X6)                  Set Screw M3x3mm (X6)</p>	<p>Model: OSHM4049                  配件编号: OSHM4049                  Package: Hang tag +PE bag                  包装方式: 吊卡+PE袋                  Product name: 6S 2000mAh HV Battery                  配件名称: 6S 2000mAh HV电池</p> 
---	---	--	---

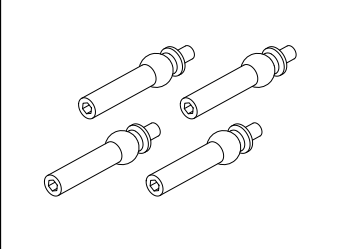
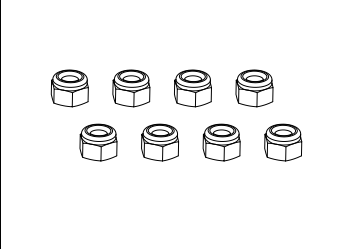
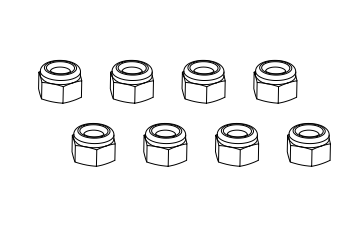
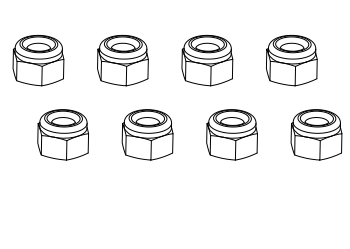
<p>Model: OSHM4050                  配件编号: OSHM4050                  Package: Hang tag +PE bag                  包装方式: 吊卡+PE袋                  Product name: 65A ESC                  配件名称: 65A电调</p> 	<p>Model: OSHM4051                  配件编号: OSHM4051                  Package: Hang tag +PE bag                  包装方式: 吊卡+PE袋                  Product name: Flight Controller                  配件名称: 飞控</p> 	<p>Model: OSHM4052                  配件编号: OSHM4052                  Package: Hang tag +PE bag                  包装方式: 吊卡+PE袋                  Product name: Servo Arm Set                  配件名称: 舵机摆臂</p> 	<p>Model: OSHM4053                  配件编号: OSHM4053                  Package: Hang tag +PE bag                  包装方式: 吊卡+PE袋                  Product name: Canopy mount set                  配件名称: 头罩固定圈</p> 
---	--	---	--

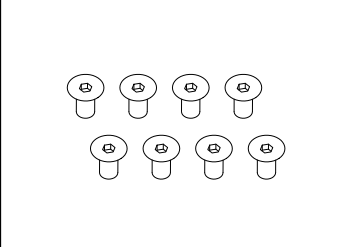
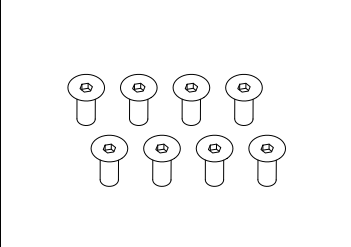
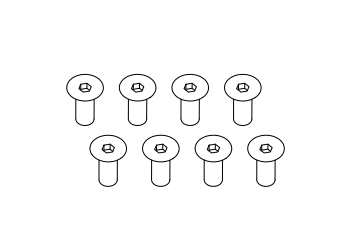
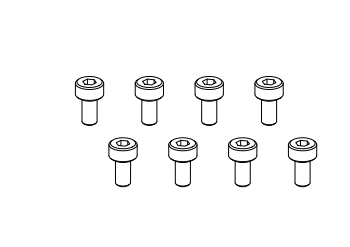
<p>Model: OSHM4054                  配件编号: OSHM4054                  Package: Hang tag +PE bag                  包装方式: 吊卡+PE袋                  Product name: Battery Velcro Strap Set                  配件名称: 电池扎带</p> 	<p>Model: OSHM4055B                  配件编号: OSHM4055B                  Package: Hang tag +PE bag                  包装方式: 吊卡+PE袋                  Product name: Tail Servo Mount Set (Black)                  配件名称: 尾舵机固定座 (黑色)</p>  <p>Socket cap screw M2.5x5mm (X2)</p>	<p>Model: OSHM4055S                  配件编号: OSHM4055S                  Package: Hang tag +PE bag                  包装方式: 吊卡+PE袋                  Product name: Tail Servo Mount Set (Silver)                  配件名称: 尾舵机固定座 (银色)</p>  <p>Socket cap screw M2.5x5mm (X2)</p>	<p>Model: OSHM4056                  配件编号: OSHM4056                  Package: Hang tag +PE bag                  包装方式: 吊卡+PE袋                  Product name: Main Rotor Damper Set                  配件名称: 横轴减震套</p> 
---	--	--	---

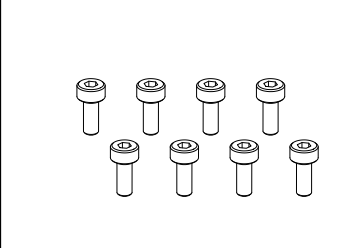
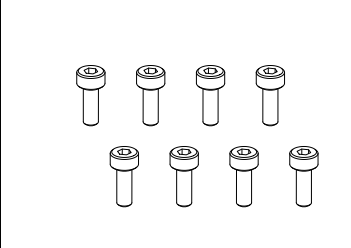
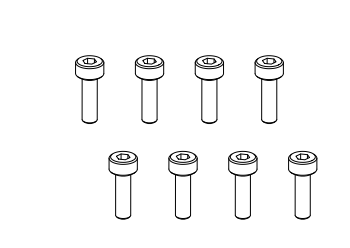
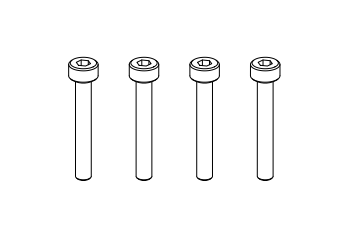
<p>Model: OSHM4057                  配件编号: OSHM4057                  Package: Hang tag +PE bag                  包装方式: 吊卡+PE袋                  Product name: Feathering Shaft Damper Spacer                  配件名称: 横轴松紧垫圈</p> 	<p>Model: OSHM4058                  配件编号: OSHM4058                  Package: Hang tag +PE bag                  包装方式: 吊卡+PE袋                  Product name: Main Rotor Thrust Bearing                  配件名称: 主旋翼夹止推轴承</p> 	<p>Model: OSHM4059                  配件编号: OSHM4059                  Package: Hang tag +PE bag                  包装方式: 吊卡+PE袋                  Product name: Tail Rotor Thrust Bearing                  配件名称: 尾旋翼夹止推轴承</p> 	<p>Model: OSHM4060                  配件编号: OSHM4060                  Package: Hang tag +PE bag                  包装方式: 吊卡+PE袋                  Product name: Blade Caddy                  配件名称: 桨托</p> 
---	--	---	--

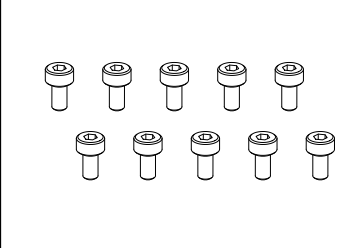
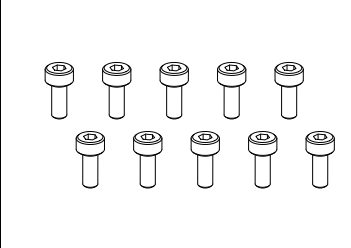
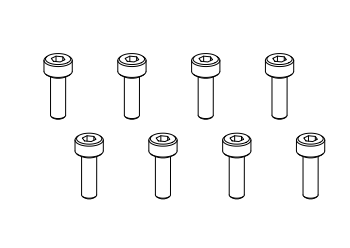
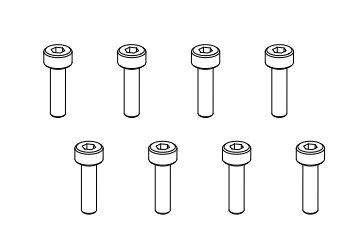
<p>Model: OSHM4061R                  配件编号: OSHM4061R                  Package: Hang tag +PE bag                  包装方式: 吊卡+PE袋                  Product name: Canopy - Viva Magenta                  配件名称: 头罩 (非凡洋红)</p> 	<p>Model: OSHM4061B                  配件编号: OSHM4061B                  Package: Hang tag +PE bag                  包装方式: 吊卡+PE袋                  Product name: Canopy - Classic Blue                  配件名称: 头罩 (经典蓝)</p> 	<p>Model: OSHM4061Y                  配件编号: OSHM4061Y                  Package: Hang tag +PE bag                  包装方式: 吊卡+PE袋                  Product name: Canopy - Racing Yellow                  配件名称: 头罩 (竞速黄)</p> 	<p>Model: OSHM4061O                  配件编号: OSHM4061O                  Package: Hang tag +PE bag                  包装方式: 吊卡+PE袋                  Product name: Canopy - Charm Orange                  配件名称: 头罩 (魔力橙)</p> 
---	--	--	--

<p>Model: OSHM4062 配件编号: OSHM4062 Product name: Servo Linkage Set 配件名称: 舵机连杆组</p> 	<p>Package: Hang tag +PE bag 包装方式: 吊卡+PE袋</p>	<p>Model: OSHM4063 配件编号: OSHM4063 Product name: Main Rotor Linkage Set 配件名称: 主旋翼连杆</p> 	<p>Package: Hang tag +PE bag 包装方式: 吊卡+PE袋</p>	<p>Model: OSHM4064 配件编号: OSHM4064 Product name: Ball Joint Screw - L3 (Rotors) 配件名称: 球头螺丝-L3</p> 	<p>Package: Hang tag +PE bag 包装方式: 吊卡+PE袋</p>	<p>Model: OSHM4065 配件编号: OSHM4065 Product name: Ball Joint Screw - L4.65 (Servos) 配件名称: 球头螺丝-L4.65</p> 	<p>Package: Hang tag +PE bag 包装方式: 吊卡+PE袋</p>
--	---	--	---	---	---	--	---

<p>Model: OSHM4066 配件编号: OSHM4066 Product name: Swashplate Guidance Ball Joint Screw 配件名称: 倾斜盘相位球头螺丝</p> 	<p>Package: Hang tag +PE bag 包装方式: 吊卡+PE袋</p>	<p>Model: OSHM4067 配件编号: OSHM4067 Product name: M2 Nylon locknut 配件名称: M2尼龙防松螺母</p> 	<p>Package: Hang tag +PE bag 包装方式: 吊卡+PE袋</p>	<p>Model: OSHM4068 配件编号: OSHM4068 Product name: M2.5 Nylon locknut 配件名称: M2.5尼龙防松螺母</p> 	<p>Package: Hang tag +PE bag 包装方式: 吊卡+PE袋</p>	<p>Model: OSHM4069 配件编号: OSHM4069 Product name: M3 Nylon locknut 配件名称: M3尼龙防松螺母</p> 	<p>Package: Hang tag +PE bag 包装方式: 吊卡+PE袋</p>
---	---	---	---	--	---	---	---

<p>Model: OSHM4070 配件编号: OSHM4070 Product name: Countersunk head hexagon socket screw M2x3mm 配件名称: 沉头内六角螺丝M2x3mm</p> 	<p>Package: Hang tag +PE bag 包装方式: 吊卡+PE袋</p>	<p>Model: OSHM4071 配件编号: OSHM4071 Product name: Countersunk head hexagon socket screw M2x6mm 配件名称: 沉头内六角螺丝M2x6mm</p> 	<p>Package: Hang tag +PE bag 包装方式: 吊卡+PE袋</p>	<p>Model: OSHM4072 配件编号: OSHM4072 Product name: Countersunk head hexagon socket screw M2.5x5mm 配件名称: 沉头内六角螺丝M2.5x5mm</p> 	<p>Package: Hang tag +PE bag 包装方式: 吊卡+PE袋</p>	<p>Model: OSHM4073 配件编号: OSHM4073 Product name: Socket cap screw M2x4mm 配件名称: 圆柱头内六角螺丝M2x4mm</p> 	<p>Package: Hang tag +PE bag 包装方式: 吊卡+PE袋</p>
---	---	--	---	---	---	--	---

<p>Model: OSHM4074 配件编号: OSHM4074 Product name: Socket cap screw M2x6mm 配件名称: 圆柱头内六角螺丝M2x6mm</p> 	<p>Package: Hang tag +PE bag 包装方式: 吊卡+PE袋</p>	<p>Model: OSHM4075 配件编号: OSHM4075 Product name: Socket cap screw M2.5x8mm 配件名称: 圆柱头内六角螺丝(半牙) M2.5x8mm</p> 	<p>Package: Hang tag +PE bag 包装方式: 吊卡+PE袋</p>	<p>Model: OSHM4076 配件编号: OSHM4076 Product name: Socket cap screw(Thread length 4mm) M2x12mm 配件名称: 圆柱头内六角螺丝(螺纹长4mm) M2x12mm</p> 	<p>Package: Hang tag +PE bag 包装方式: 吊卡+PE袋</p>	<p>Model: OSHM4077 配件编号: OSHM4077 Product name: Socket cap screw M2x16mm 配件名称: 圆柱头内六角螺丝M2x16mm</p> 	<p>Package: Hang tag +PE bag 包装方式: 吊卡+PE袋</p>
---	---	---	---	---	---	--	---

<p>Model: OSHM4078 配件编号: OSHM4078 Product name: Socket cap screw M2.5x5mm 配件名称: 圆柱头内六角螺丝M2.5x5mm</p> 	<p>Package: Hang tag +PE bag 包装方式: 吊卡+PE袋</p>	<p>Model: OSHM4079 配件编号: OSHM4079 Product name: Socket cap screw M2.5x6mm 配件名称: 圆柱头内六角螺丝M2.5x6mm</p> 	<p>Package: Hang tag +PE bag 包装方式: 吊卡+PE袋</p>	<p>Model: OSHM4080 配件编号: OSHM4080 Product name: Socket cap screw M2.5x8mm 配件名称: 圆柱头内六角螺丝M2.5x8mm</p> 	<p>Package: Hang tag +PE bag 包装方式: 吊卡+PE袋</p>	<p>Model: OSHM4081 配件编号: OSHM4081 Product name: Socket cap screw M2.5x10mm 配件名称: 圆柱头内六角螺丝M2.5x10mm</p> 	<p>Package: Hang tag +PE bag 包装方式: 吊卡+PE袋</p>
---	---	--	---	---	---	--	---

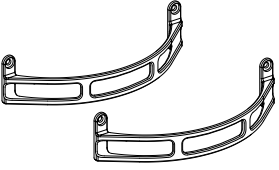
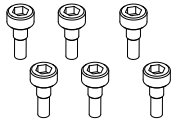
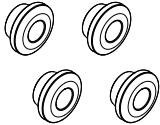
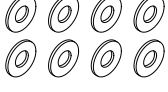
Model: OSHM4082 配件编号: OSHM4082 Package: Hang tag +PE bag 包装方式: 吊卡+PE袋 Product name: Socket cap screw M3x6mm 配件名称: 圆柱头内六角螺丝M3x6mm	Model: OSHM4083 配件编号: OSHM4083 Package: Hang tag +PE bag 包装方式: 吊卡+PE袋 Product name: Socket cap screw M3x14mm 配件名称: 圆柱头内六角螺丝 (半牙) M3x14mm	Model: OSHM4084 配件编号: OSHM4084 Package: Hang tag +PE bag 包装方式: 吊卡+PE袋 Product name: Socket cap screw M3x18mm 配件名称: 圆柱头内六角螺丝 (半牙) M3x18mm	Model: OSHM4085 配件编号: OSHM4085 Package: Hang tag +PE bag 包装方式: 吊卡+PE袋 Product name: Bearing Ø3xØ6x2.5mm 配件名称: 轴承Ø3xØ6x2.5mm

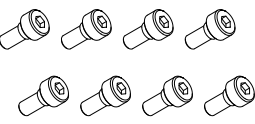
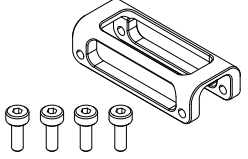
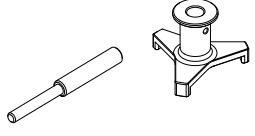
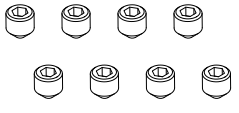
Model: OSHM4086 配件编号: OSHM4086 Package: Hang tag +PE bag 包装方式: 吊卡+PE袋 Product name: Bearing Ø8xØ14x4mm 配件名称: 轴承Ø8xØ14x4mm	Model: OSHM4087 配件编号: OSHM4087 Package: Hang tag +PE bag 包装方式: 吊卡+PE袋 Product name: Bearing Ø2xØ5x2.5mm 配件名称: 轴承Ø2xØ5x2.5mm	Model: OSHM4088 配件编号: OSHM4088 Package: Hang tag +PE bag 包装方式: 吊卡+PE袋 Product name: Bearing Ø5xØ10x4mm 配件名称: 轴承Ø5xØ10x4mm	Model: OSHM4089 配件编号: OSHM4089 Package: Hang tag +PE bag 包装方式: 吊卡+PE袋 Product name: Bearing Ø6xØ10x3mm 配件名称: 轴承Ø6xØ10x3mm

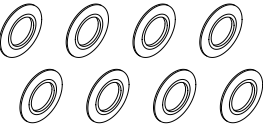
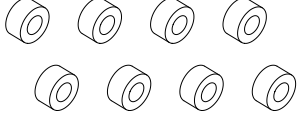
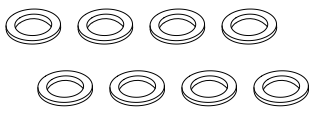
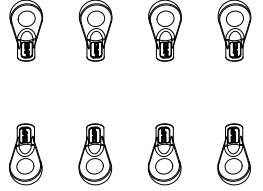
Model: OSHM4090 配件编号: OSHM4090 Package: Hang tag +PE bag 包装方式: 吊卡+PE袋 Product name: Flange bearing Ø2xØ6x3mm 配件名称: 法兰轴承Ø2xØ6x3mm	Model: OSHM4091 配件编号: OSHM4091 Package: Hang tag +PE bag 包装方式: 吊卡+PE袋 Product name: Flange bearing Ø5xØ13x4mm 配件名称: 法兰轴承Ø5xØ13x4mm	Model: OSHM4092 配件编号: OSHM4092 Package: Hang tag +PE bag 包装方式: 吊卡+PE袋 Product name: Bearing Ø20xØ27x4mm 配件名称: 轴承Ø20xØ27x4mm	Model: OSHM4093 配件编号: OSHM4093 Package: Hang tag +PE bag 包装方式: 吊卡+PE袋 Product name: Washers (Main Blade Grip Set) 配件名称: 垫片(主旋翼夹)
			<p>Shim Ø3xØ6.5x0.5mm (×8) Shim Ø5xØ6x0.5mm (×8)</p>

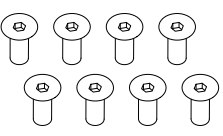
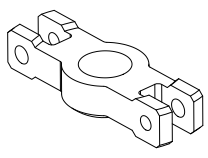
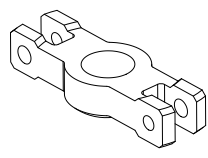
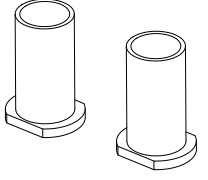
Model: OSHM4094 配件编号: OSHM4094 Package: Hang tag +PE bag 包装方式: 吊卡+PE袋 Product name: Washers (Swashplate Driver Arm) 配件名称: 垫片(摆距辅助臂)	Model: OSHM4095 配件编号: OSHM4095 Package: Hang tag +PE bag 包装方式: 吊卡+PE袋 Product name: Washers (Swash plate) 配件名称: 垫片(摆斜盘)	Model: OSHM4096 配件编号: OSHM4096 Package: Hang tag +PE bag 包装方式: 吊卡+PE袋 Product name: Washers (Tail Blade Grip Set) 配件名称: 垫片(尾旋翼夹)	Model: OSHM4097 配件编号: OSHM4097 Package: Hang tag +PE bag 包装方式: 吊卡+PE袋 Product name: Washers (2.6mm Tail Blade Spacers) 配件名称: 垫片(2.6mm尾梁垫片)
<p>Shim Ø2xØ3.2x0.5mm (×8)</p>	<p>Shim Ø2xØ4.3x0.5mm (×8)</p>	<p>Shim Ø2xØ4.5x0.2mm (×8) Shim Ø3xØ4.5x0.2mm (×8)</p>	<p>Shim Ø2xØ8x0.2mm (×8)</p>

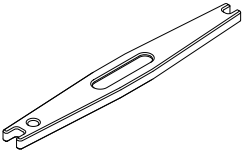
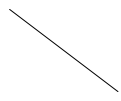
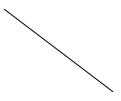
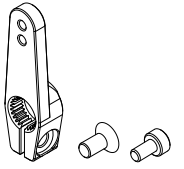
Model: OSHM4098B 配件编号: OSHM4098B Package: Hang tag +PE bag 包装方式: 吊卡+PE袋 Product name: Swashplate ring (Black) 配件名称: 摆斜盘外壳 (黑色)	Model: OSHM4098S 配件编号: OSHM4098S Package: Hang tag +PE bag 包装方式: 吊卡+PE袋 Product name: Swashplate ring (Silver) 配件名称: 摆斜盘外壳 (银色)	Model: OSHM4099 配件编号: OSHM4099 Package: Hang tag +PE bag 包装方式: 吊卡+PE袋 Product name: OWB bearing set 配件名称: 8108动力电机单向轴承组	Model: OSHM4100 配件编号: OSHM4100 Package: Hang tag +PE bag 包装方式: 吊卡+PE袋 Product name: Bearing Ø15*Ø24*5 配件名称: 8108动力电机深沟球轴承
<p>Socket cap screw M2x4mm (×8) Shim Ø2xØ4.3x0.5mm (×6)</p>	<p>Socket cap screw M2x4mm (×8) Shim Ø2xØ4.3x0.5mm (×6)</p>	<p>One-way bearing Ø8xØ12x12mm (×1) Axle Ø15xØ28.5x25.5mm (×1) Bearing Ø8xØ12x3.5mm (×1) Bearing Ø8xØ14x4mm (×1) Shim Ø10xØ12x1mm (×1)</p>	

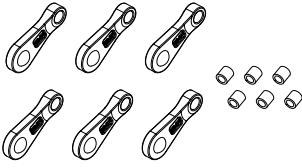
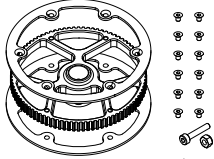
<p>Model: OSHM4101 配件编号: OSHM4101 Package: Hang tag +PE bag 包装方式: 吊卡+PE袋 Product name: Motor protective sleeve 配件名称: 电机保护套</p> 	<p>Model: OSHM4102 配件编号: OSHM4102 Package: Hang tag +PE bag 包装方式: 吊卡+PE袋 Product name: Tail Bellcrank Pin M2.5x7x2 配件名称: 尾变距销M2.5x7x2</p> 	<p>Model: OSHM4103 配件编号: OSHM4103 Package: Hang tag +PE bag 包装方式: 吊卡+PE袋 Product name: Canopy grommet 配件名称: 头罩垫圈</p> 	<p>Model: OSHM4104 配件编号: OSHM4104 Package: Hang tag +PE bag 包装方式: 吊卡+PE袋 Product name: Washers (Canopy grommet) 配件名称: 垫片 (头罩垫圈)</p>  <p>Shim <math>\varnothing 2.5 \times \varnothing 5 \times 0.5 \text{mm}</math> (X8)</p>
--	---	---	---

<p>Model: OSHM4105 配件编号: OSHM4105 Package: Hang tag +PE bag 包装方式: 吊卡+PE袋 Product name: Step socket cap screw M2.5x6mm 配件名称: 台阶圆柱头内六角M2.5x6mm</p> 	<p>Model: OSHM4033S 配件编号: OSHM4033S Package: Hang tag +PE bag 包装方式: 吊卡+PE袋 Product name: Tail Housing Mounting Brace (Silver) 配件名称: 尾变距管内固定块 (银色)</p>  <p>Socket cap screw M2.5x8mm (X4)</p>	<p>Model: OSHM4107 配件编号: OSHM4107 Package: Hang tag +PE bag 包装方式: 吊卡+PE袋 Product name: Leveling limiter 配件名称: 调平器组</p> 	<p>Model: OSHM4108 配件编号: OSHM4108 Package: Hang tag +PE bag 包装方式: 吊卡+PE袋 Product name: Set Screw M3x3mm 配件名称: 紧定螺丝 M3x3mm</p> 
--	---	---	---

<p>Model: OSHM4109 配件编号: OSHM4109 Package: Hang tag +PE bag 包装方式: 吊卡+PE袋 Product name: Tail Damper Shim 配件名称: 尾横轴松紧垫圈</p> 	<p>Model: OSHM4110 配件编号: OSHM4110 Package: Hang tag +PE bag 包装方式: 吊卡+PE袋 Product name: Tail Rubber Damper Shore 配件名称: 尾横轴减震套</p> 	<p>Model: OSHM4111 配件编号: OSHM4111 Package: Hang tag +PE bag 包装方式: 吊卡+PE袋 Product name: Washers (Idler Pulley Set) 配件名称: 垫片 (皮带张紧轮组)</p>  <p>Shim <math>\varnothing 3.05 \times \varnothing 4.5 \times 0.5 \text{mm}</math> (X8)</p>	<p>Model: OSHM4112 配件编号: OSHM4112 Package: Hang tag +PE bag 包装方式: 吊卡+PE袋 Product name: Universal Ball Joint 配件名称: 4.5连杆球头座</p> 
---	--	---	--

<p>Model: OSHM4113 配件编号: OSHM4113 Package: Hang tag +PE bag 包装方式: 吊卡+PE袋 Product name: Countersunk head hexagon socket screw M2.5x6mm 配件名称: 沉头内六角螺丝M2.5x6mm</p> 	<p>Model: OSHM4114B 配件编号: OSHM4114B Package: Hang tag +PE bag 包装方式: 吊卡+PE袋 Product name: Tail Slider Bridge (Black) 配件名称: 尾部滑块桥 (黑色)</p> 	<p>Model: OSHM4114S 配件编号: OSHM4114S Package: Hang tag +PE bag 包装方式: 吊卡+PE袋 Product name: Tail Slider Bridge (Silver) 配件名称: 尾部滑块桥 (银色)</p> 	<p>Model: OSHM4115 配件编号: OSHM4115 Package: Hang tag +PE bag 包装方式: 吊卡+PE袋 Product name: Tail Slider Sleeve 配件名称: 尾部滑块套筒</p> 
---	--	--	--

<p>Model: OSHM4116 配件编号: OSHM4116 Package: Hang tag +PE bag 包装方式: 吊卡+PE袋 Product name: Rod adjustment wrench 配件名称: 拉杆调平扳手</p> 	<p>Model: OSHM4117 配件编号: OSHM4117 Package: Hang tag +PE bag 包装方式: 吊卡+PE袋 Product name: ESC LCD program card 配件名称: 电调编程卡</p> 	<p>Model: OSHM4118 配件编号: OSHM4118 Package: Hang tag +PE bag 包装方式: 吊卡+PE袋 Product name: BlueTooth program Module 配件名称: 蓝牙编程卡</p> 	<p>Model: OSHM4119 配件编号: OSHM4119 Package: Hang tag +PE bag 包装方式: 吊卡+PE袋 Product name: Mid servo metal arm 配件名称: 中舵金属摆臂</p>  <p>Socket cap screw M2.5x5mm (X1) Countersunk head hexagon socket screw M3x6mm (X1)</p>
---	---	--	---

<p>Model: OSHM4120      Package: Hang tag +PE bag                  配件编号: OSHM4120      包装方式: 吊卡+PE袋                  Product name: Tail Slider Joint Arm                  配件名称: 尾滑块球头座</p>	<p>Model: OSHM4102      Package: Hang tag +PE bag                  配件编号: OSHM4102      包装方式: 吊卡+PE袋                  Product name: Main Pulley 88t                  配件名称: 主同步滑轮88T</p>
	 <p>Socket cap screw M2.5x15mm (X1)                  Countersunk head hexagon socket screw M2x3mm (X12)                  M2.5 Nylon locknut (X1)</p>



# OMPHOBBY

Zhuhai edge smart drive technology Co., Ltd  
[www.omphobby.com](http://www.omphobby.com)

---

© 2023